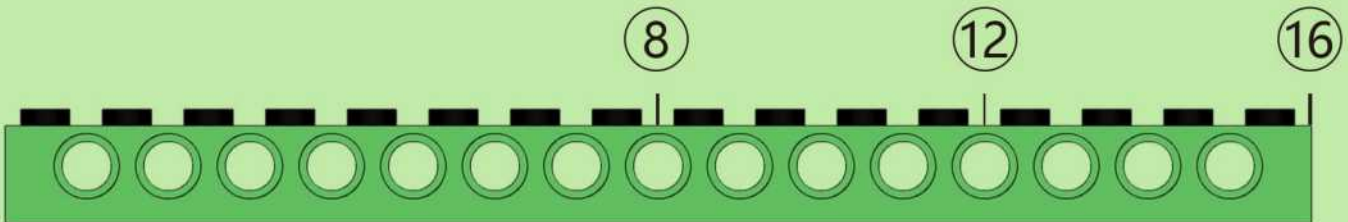
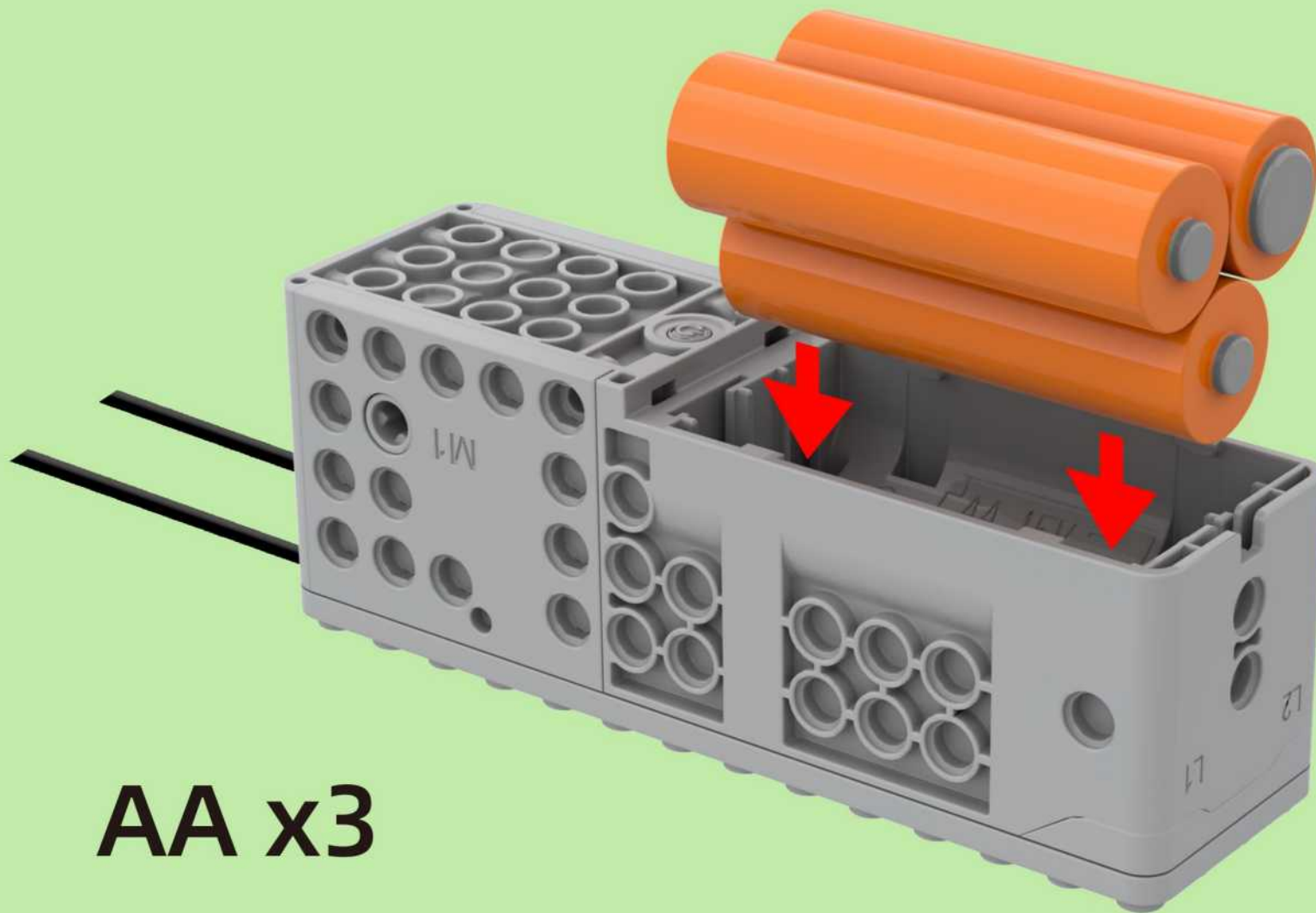


# I

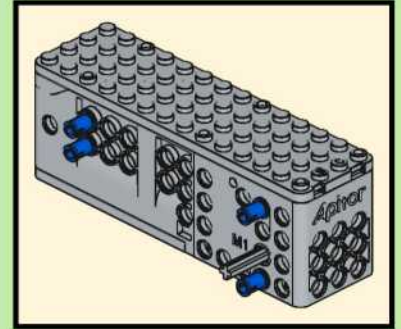
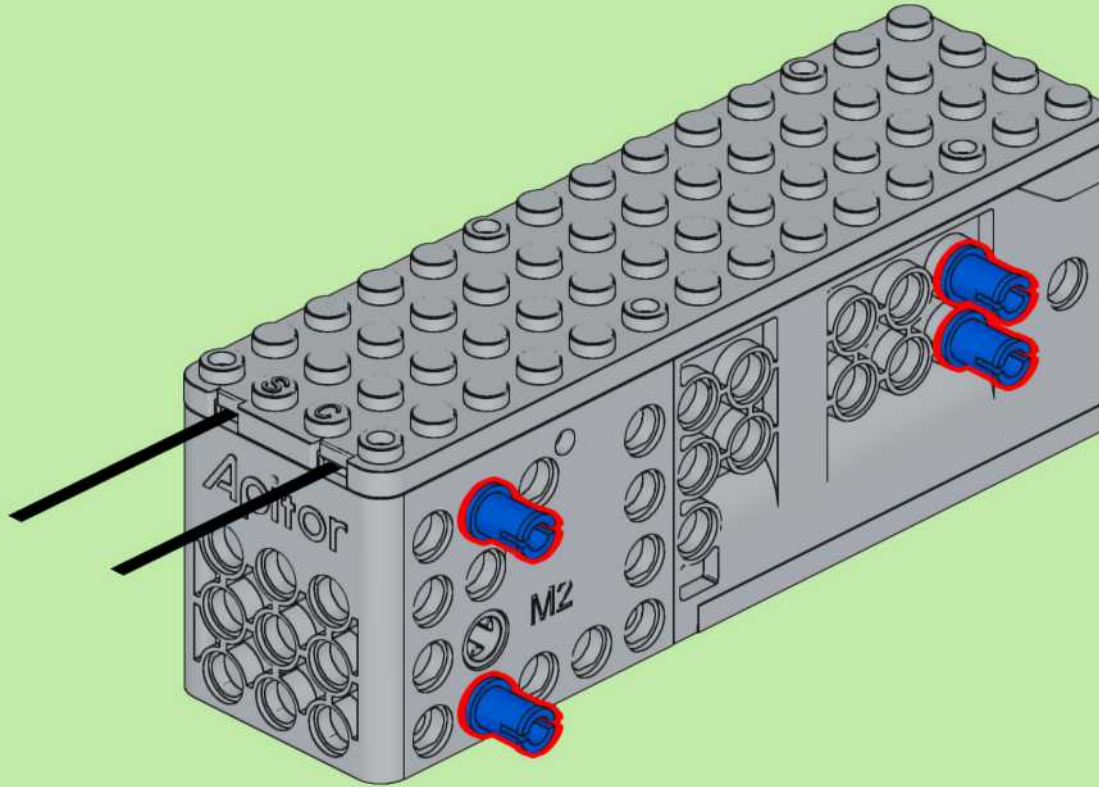


**II**

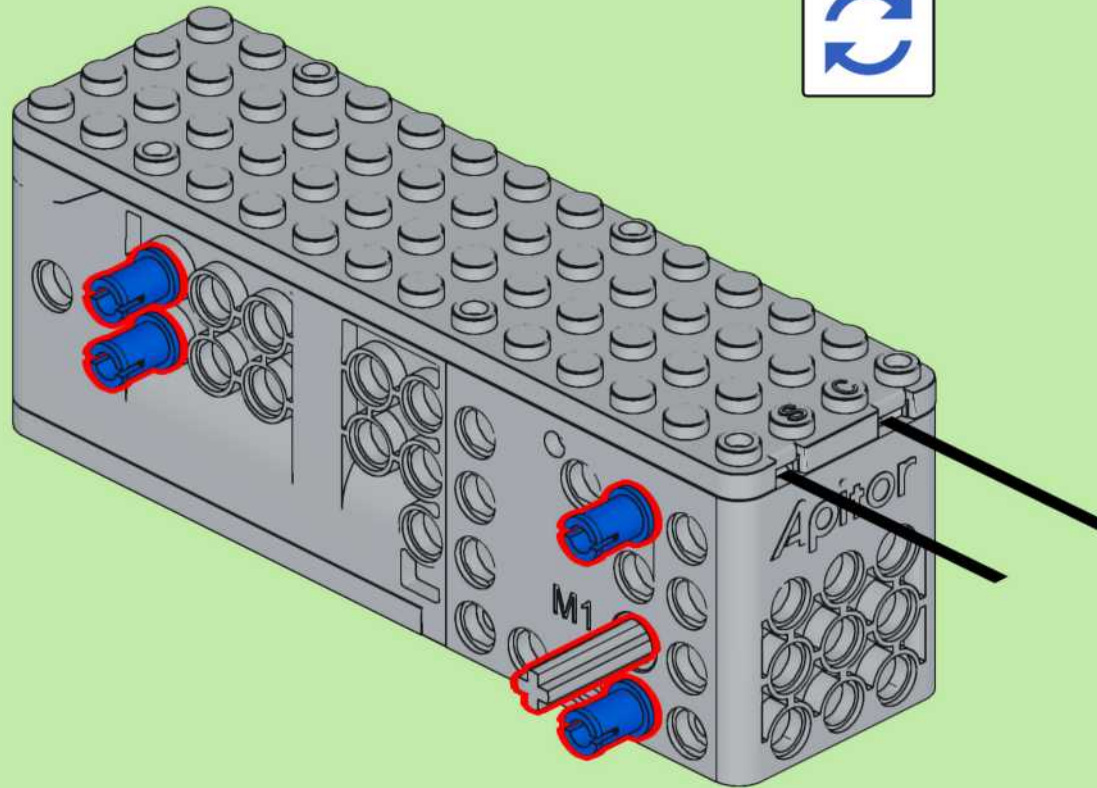
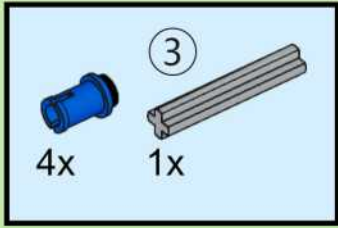


**AA x3**

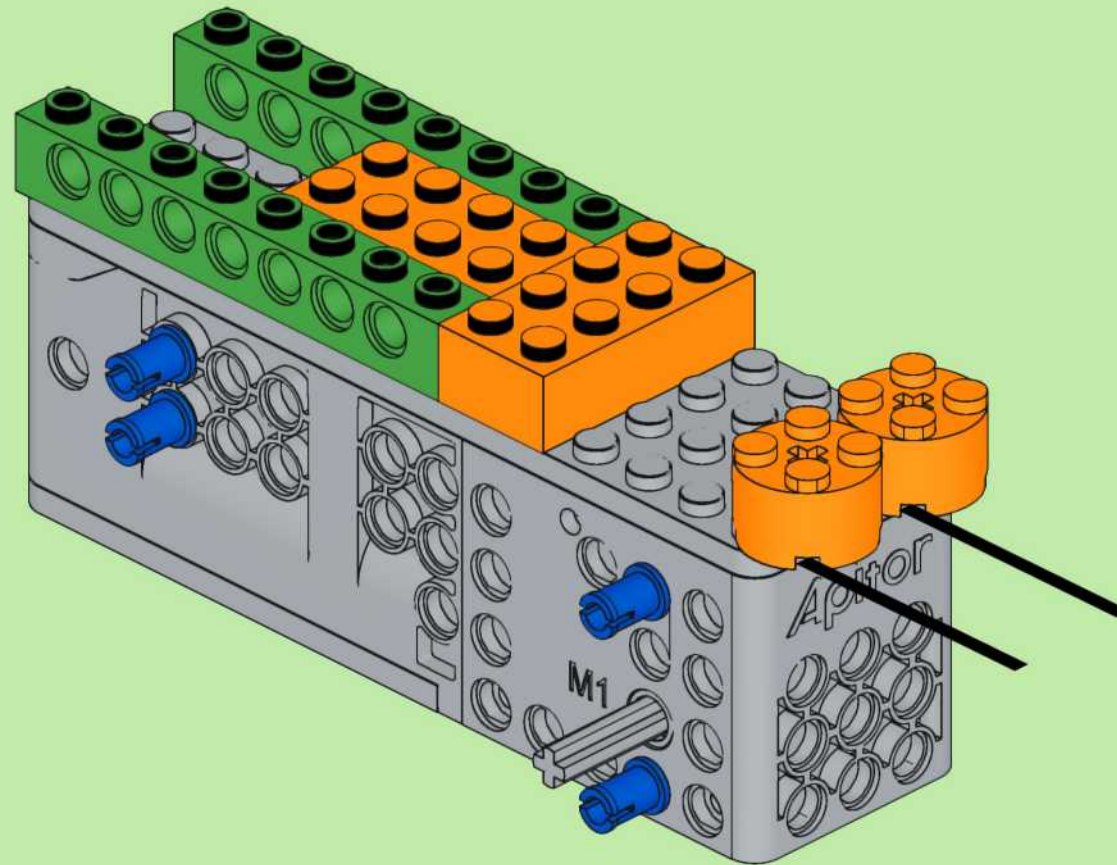
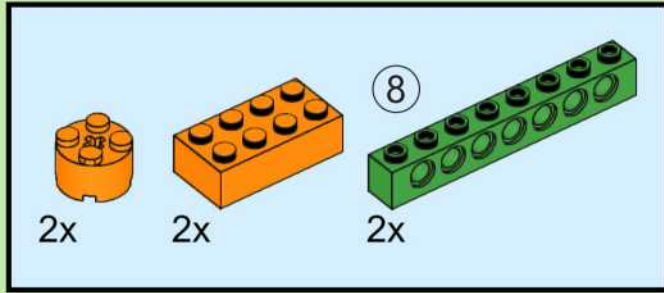
1



# 2

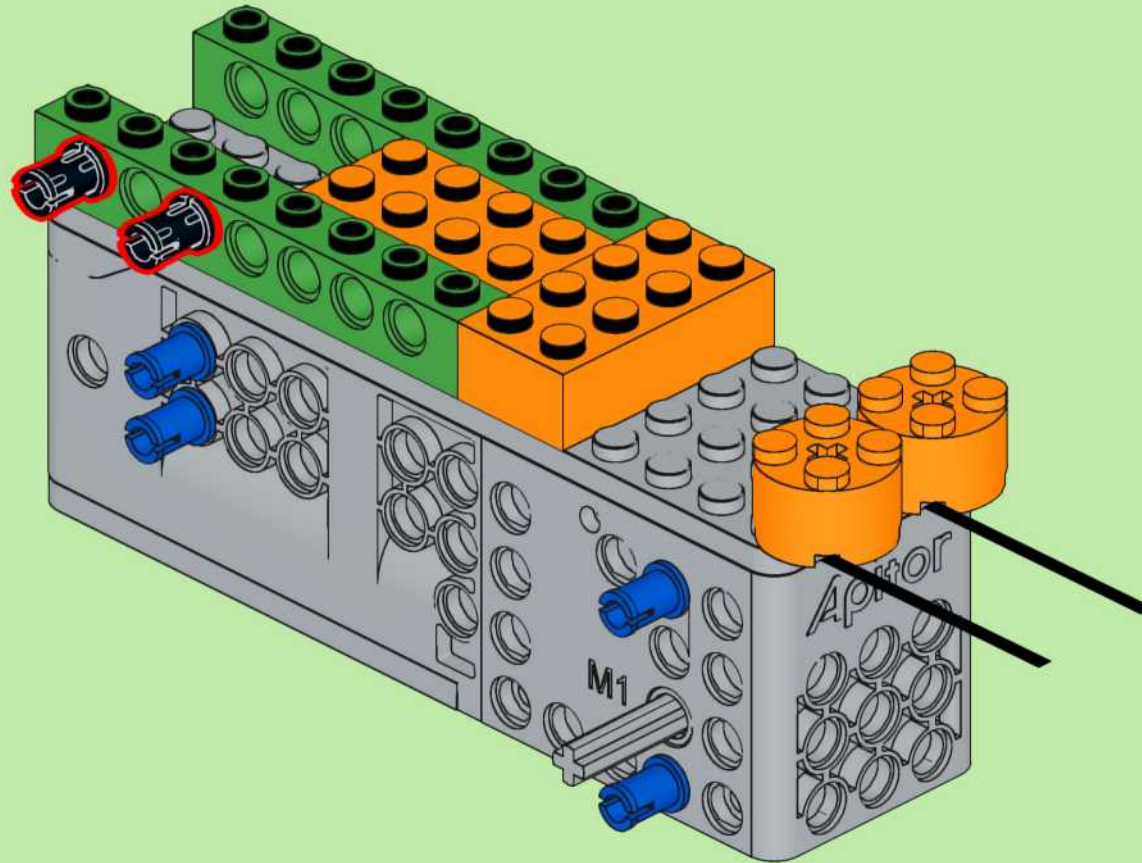


# 3

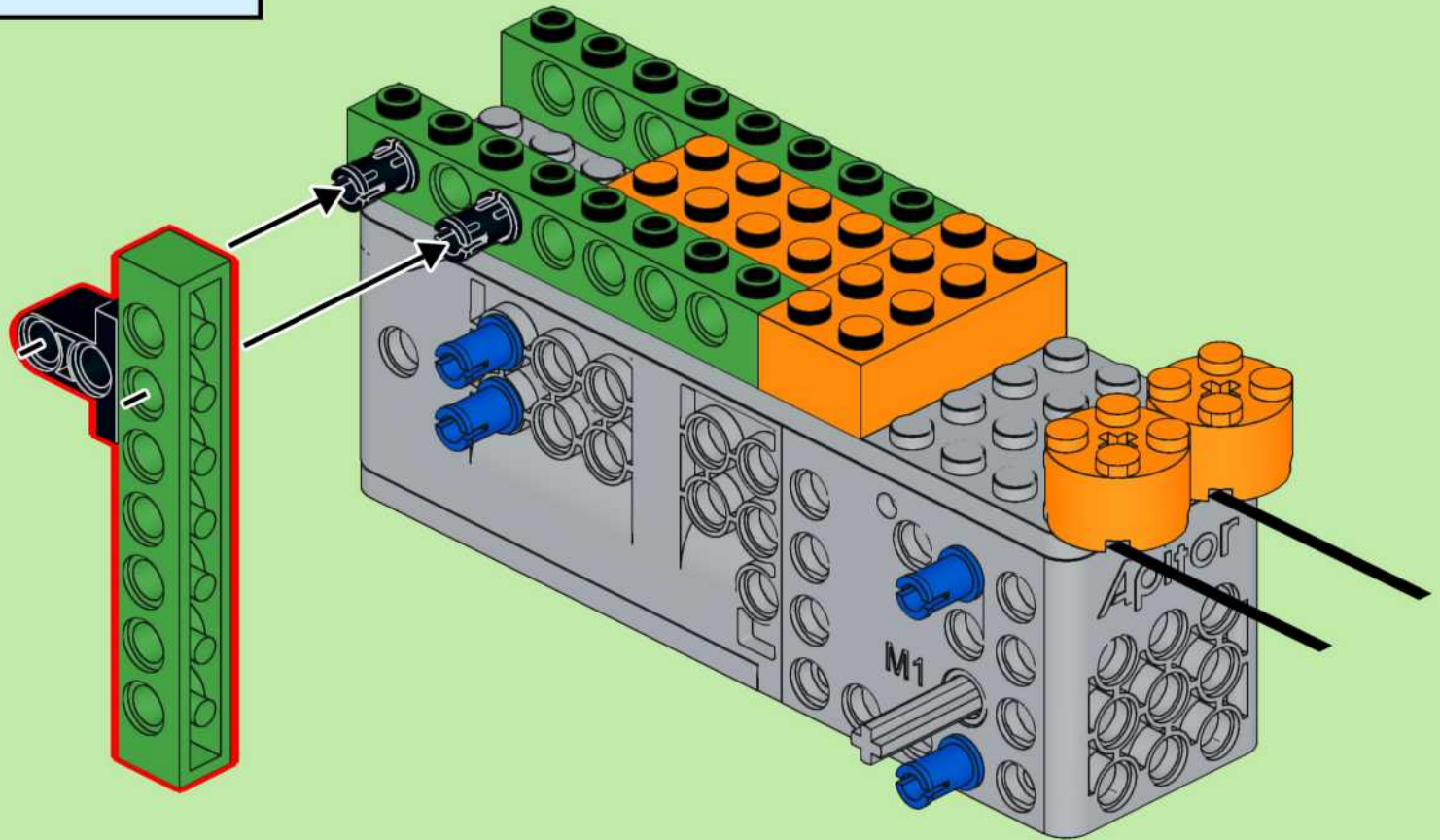
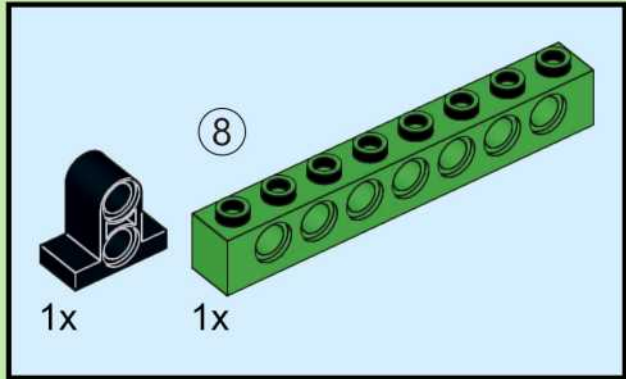




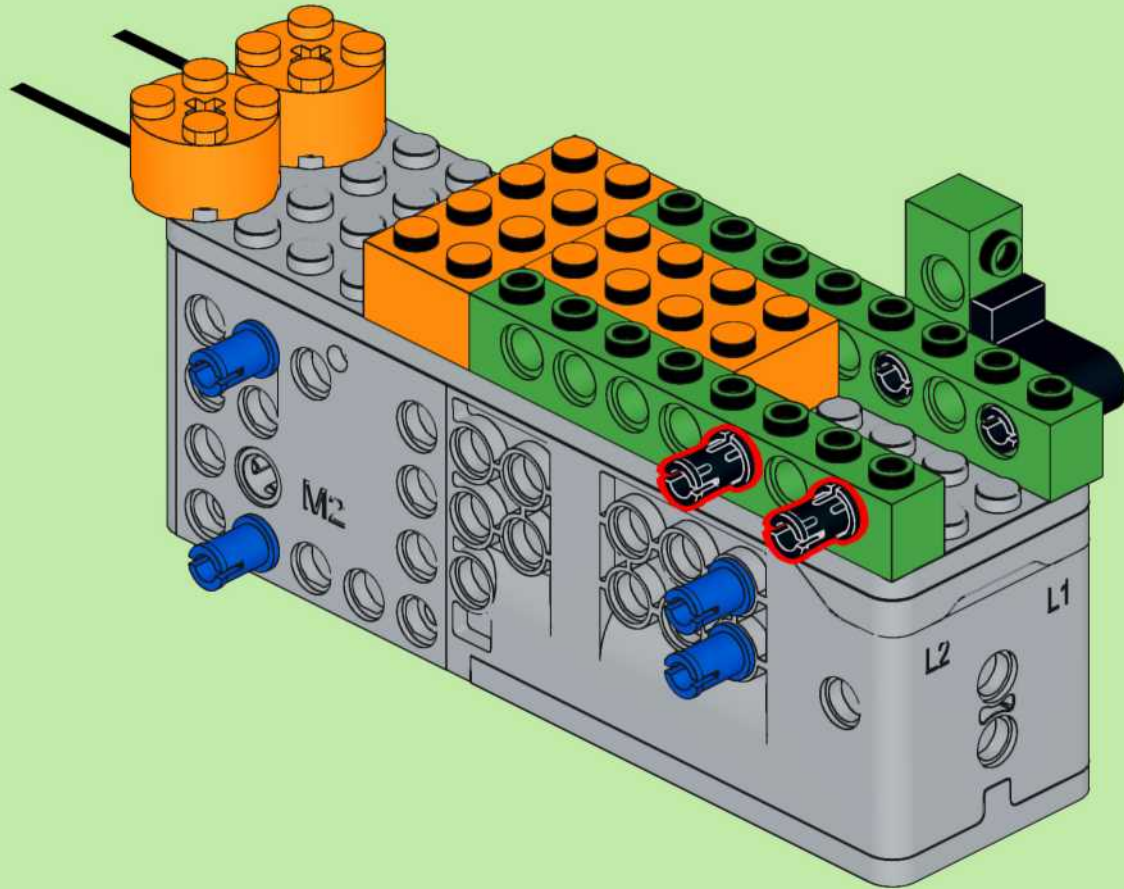
4



# 5

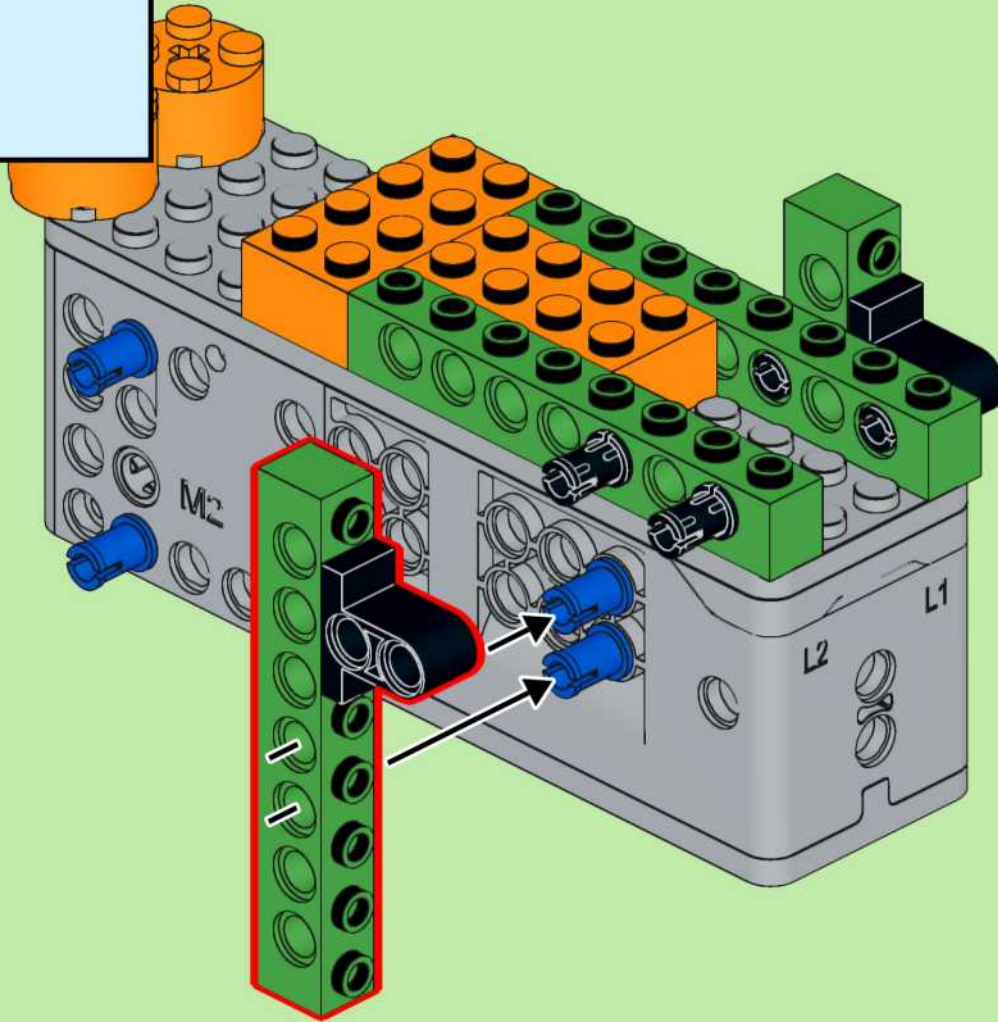
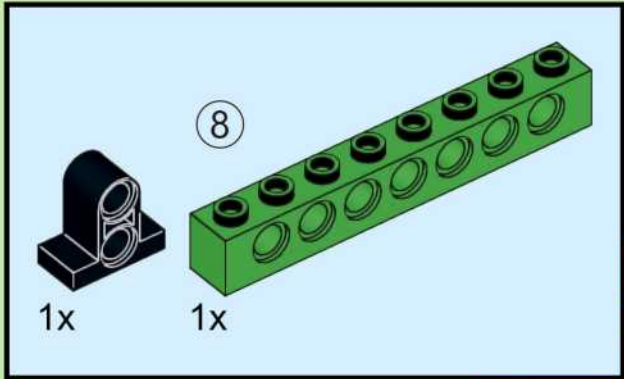


6

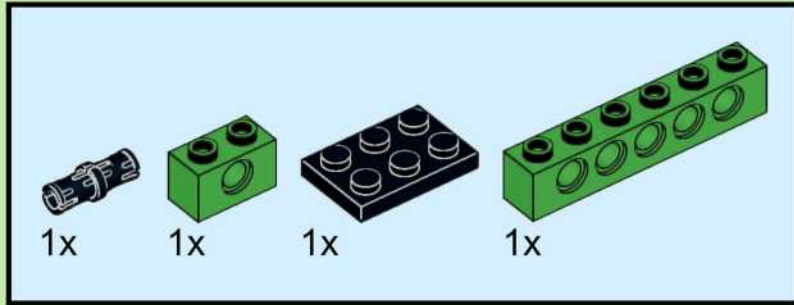




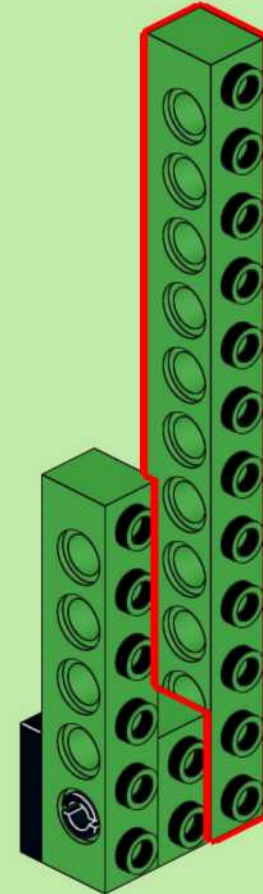
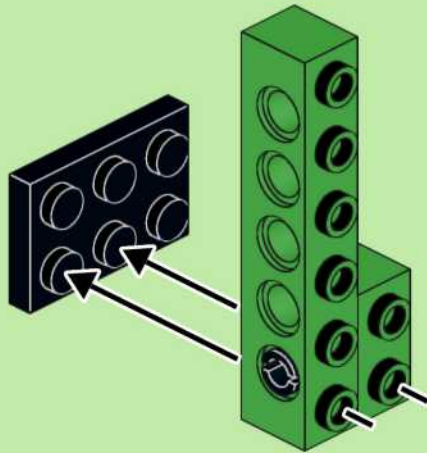
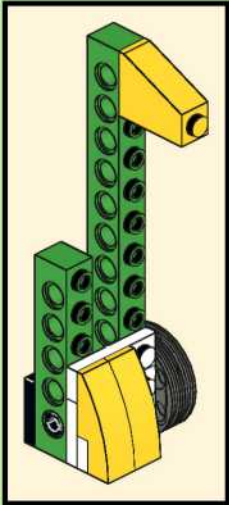
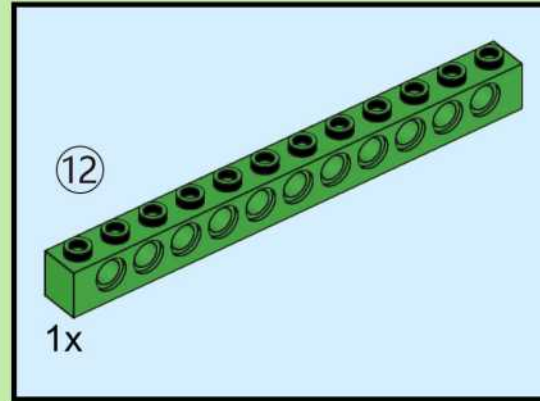
7



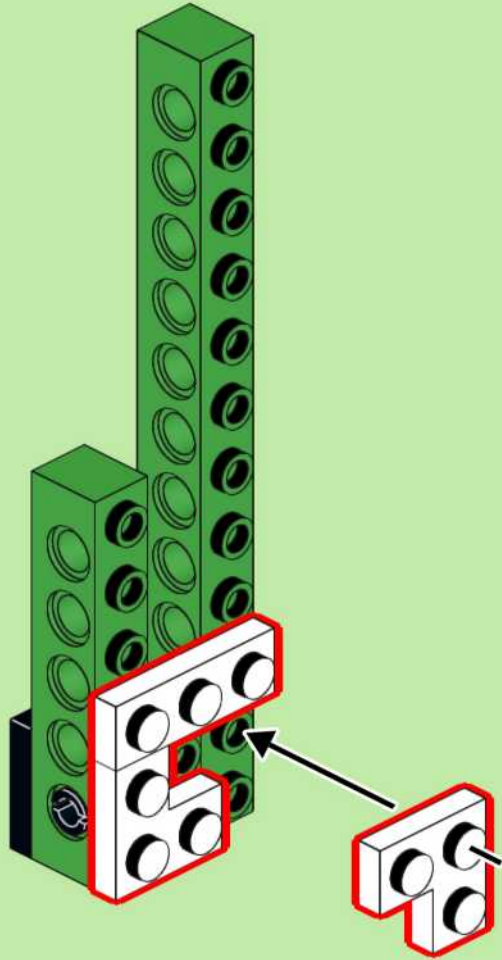
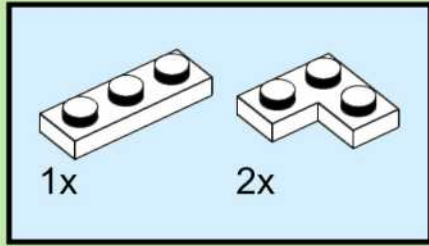
# 8



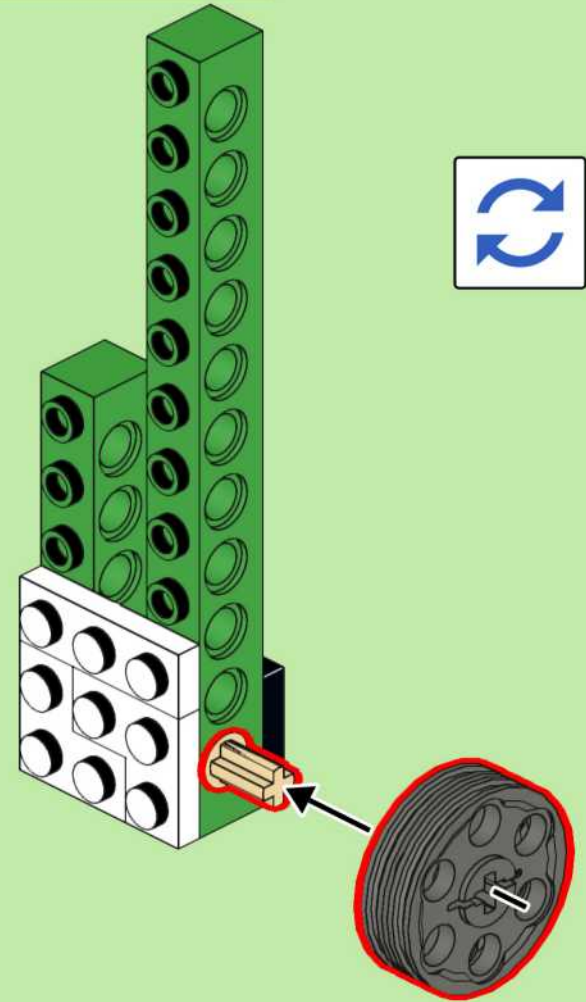
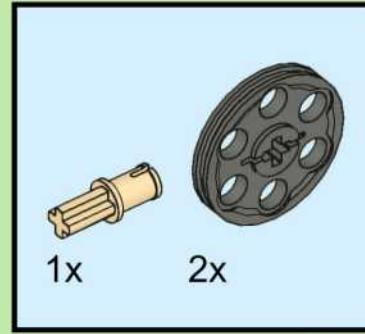
# 9



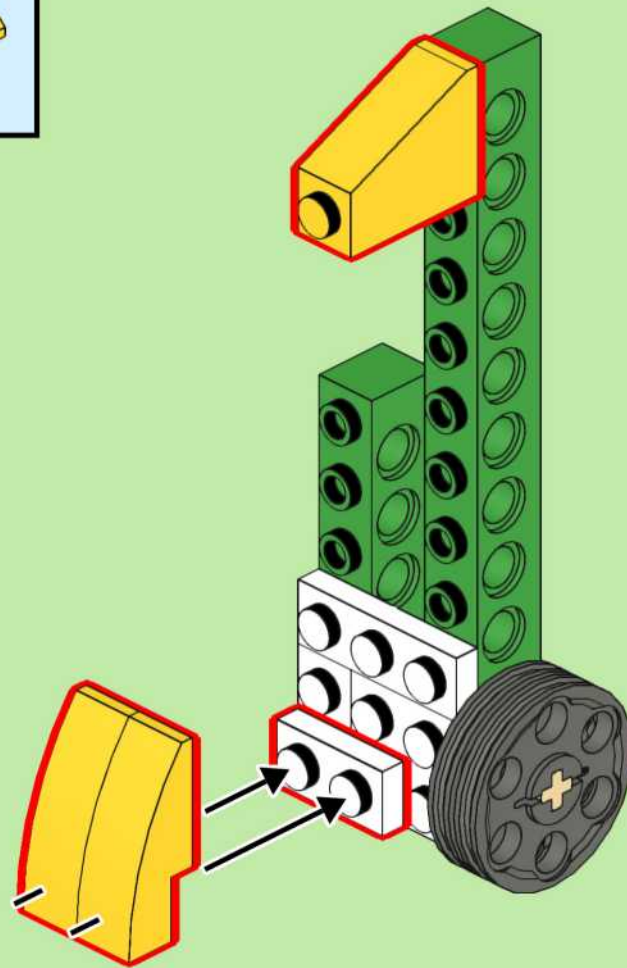
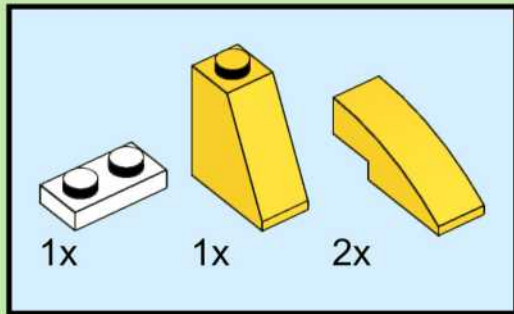
# 10



# 11

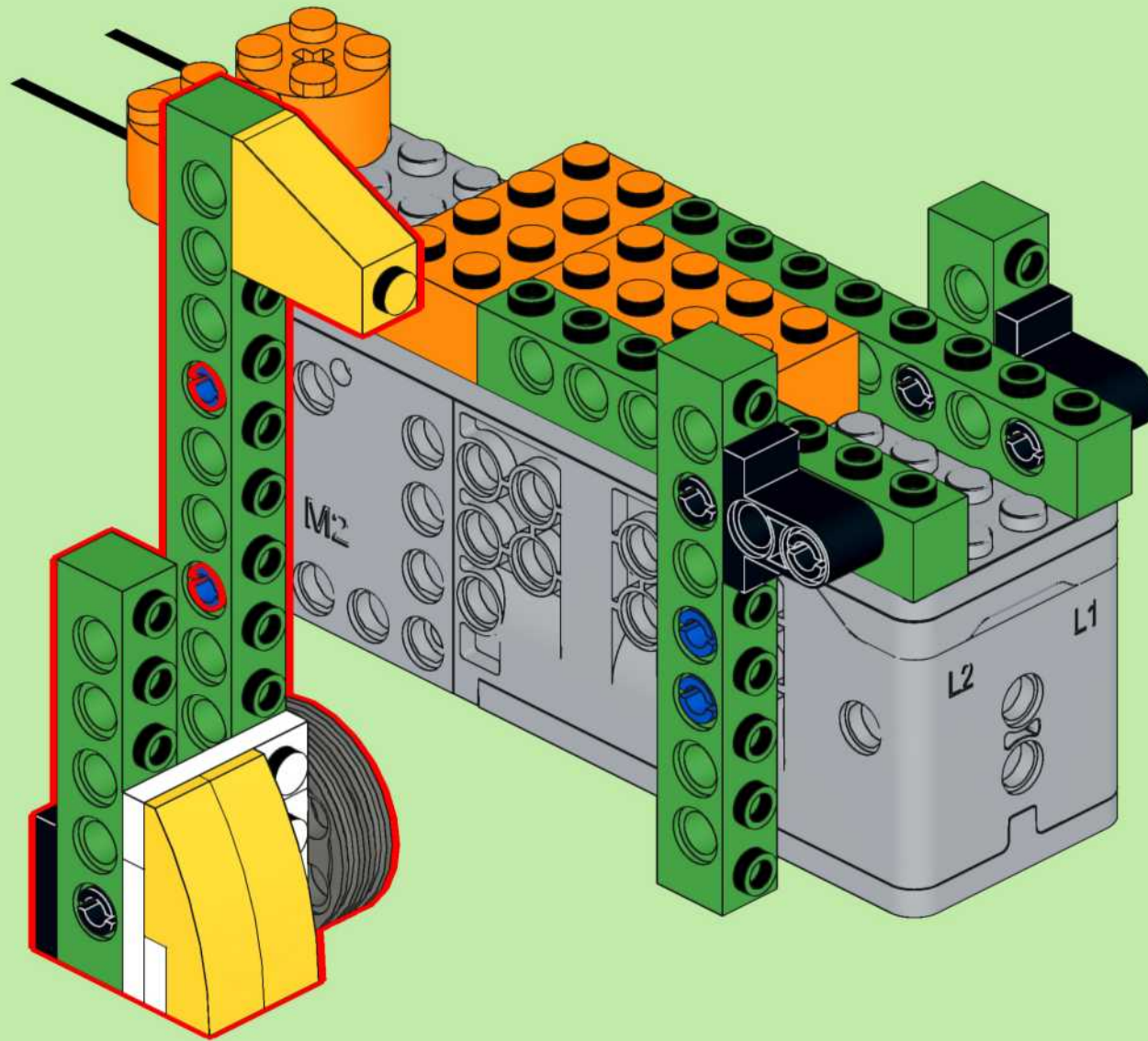


# 12



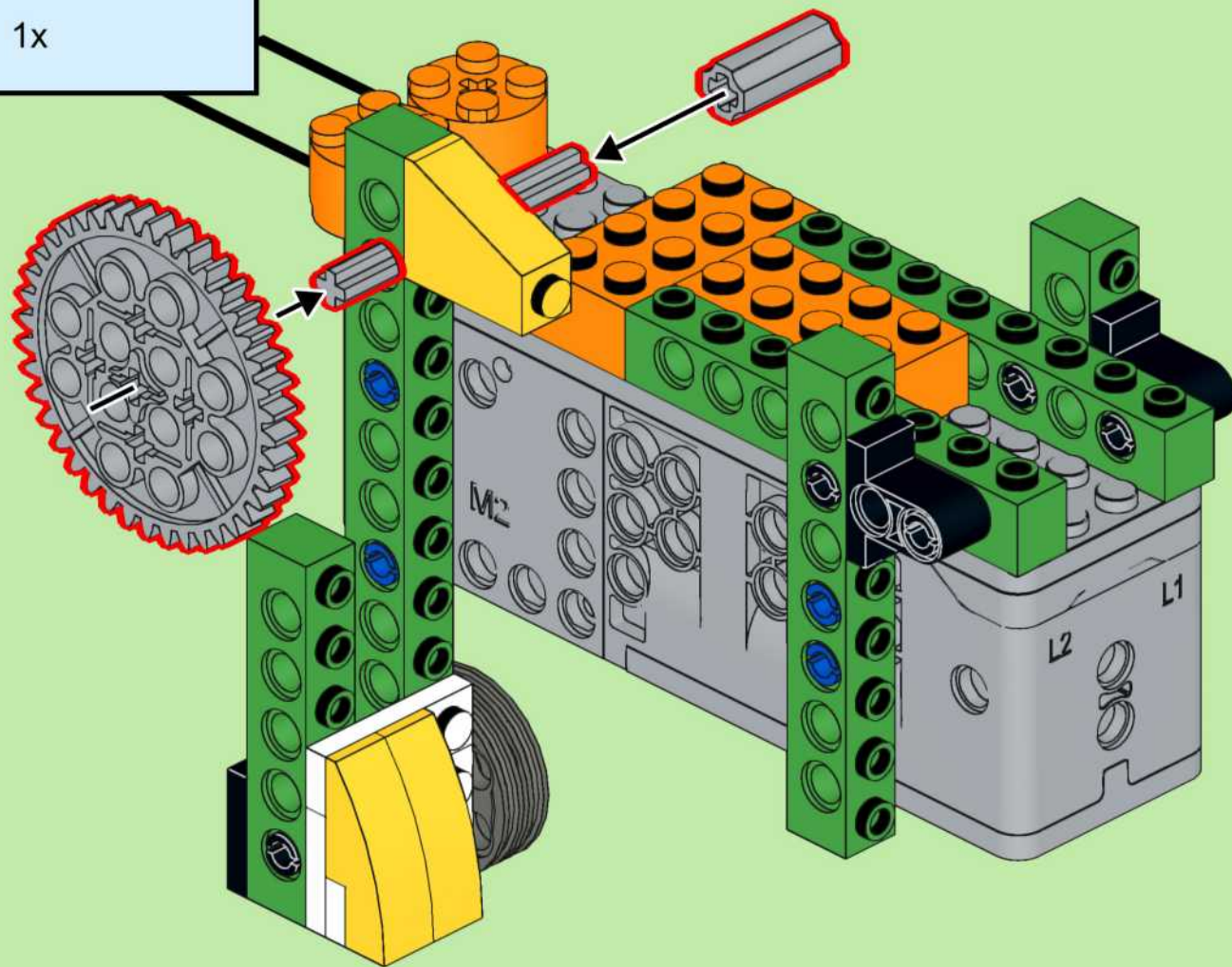
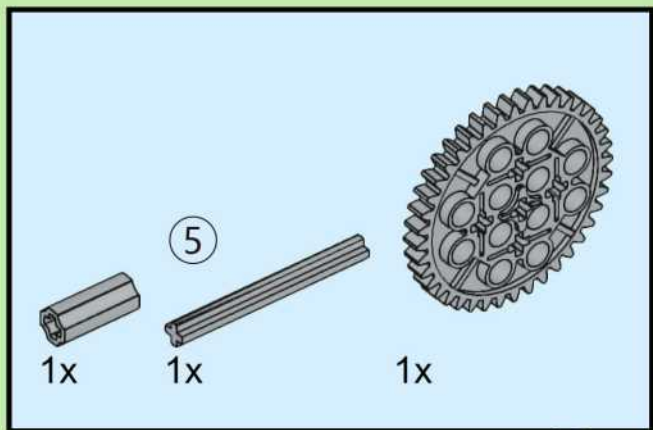


# 13

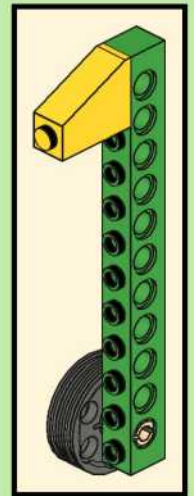
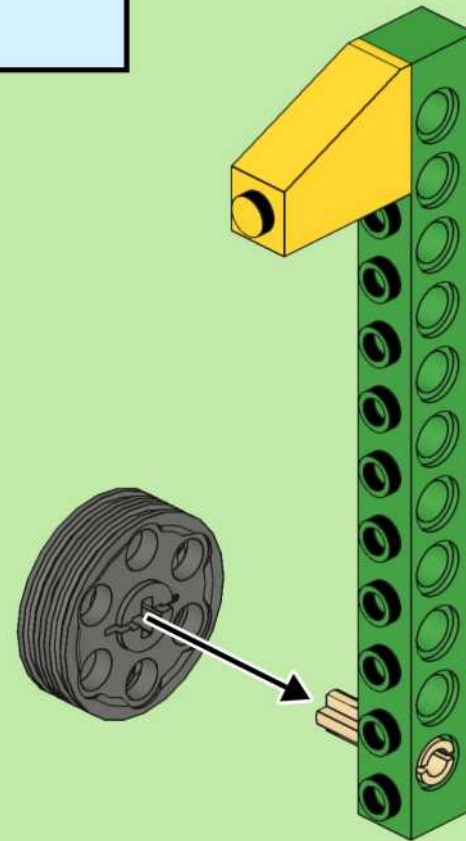
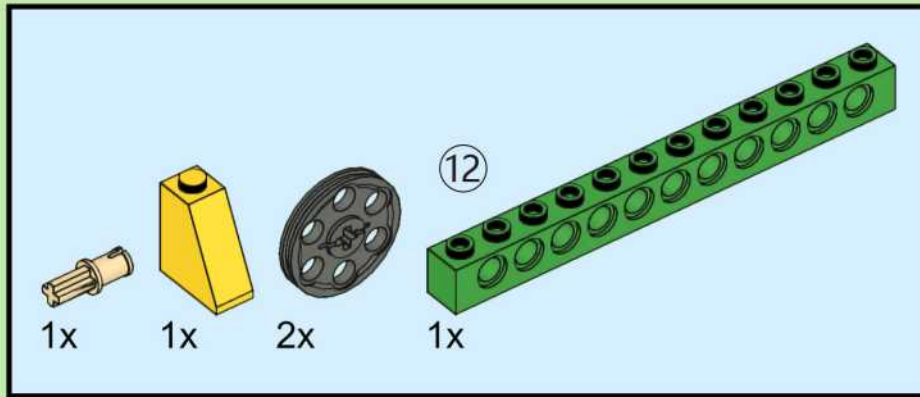




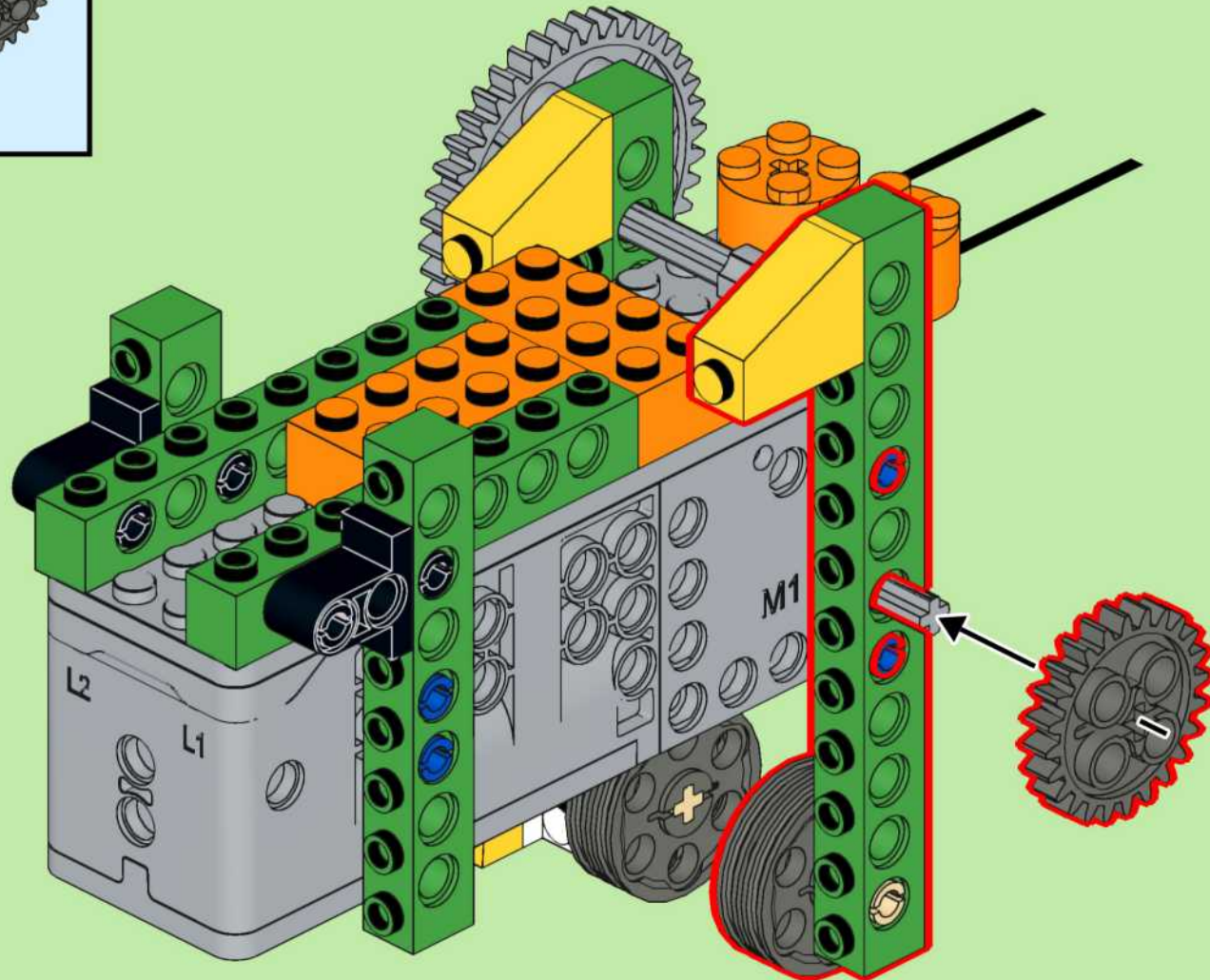
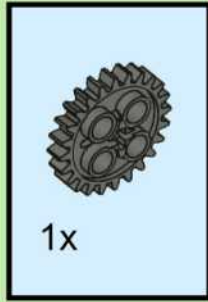
# 14



# 15

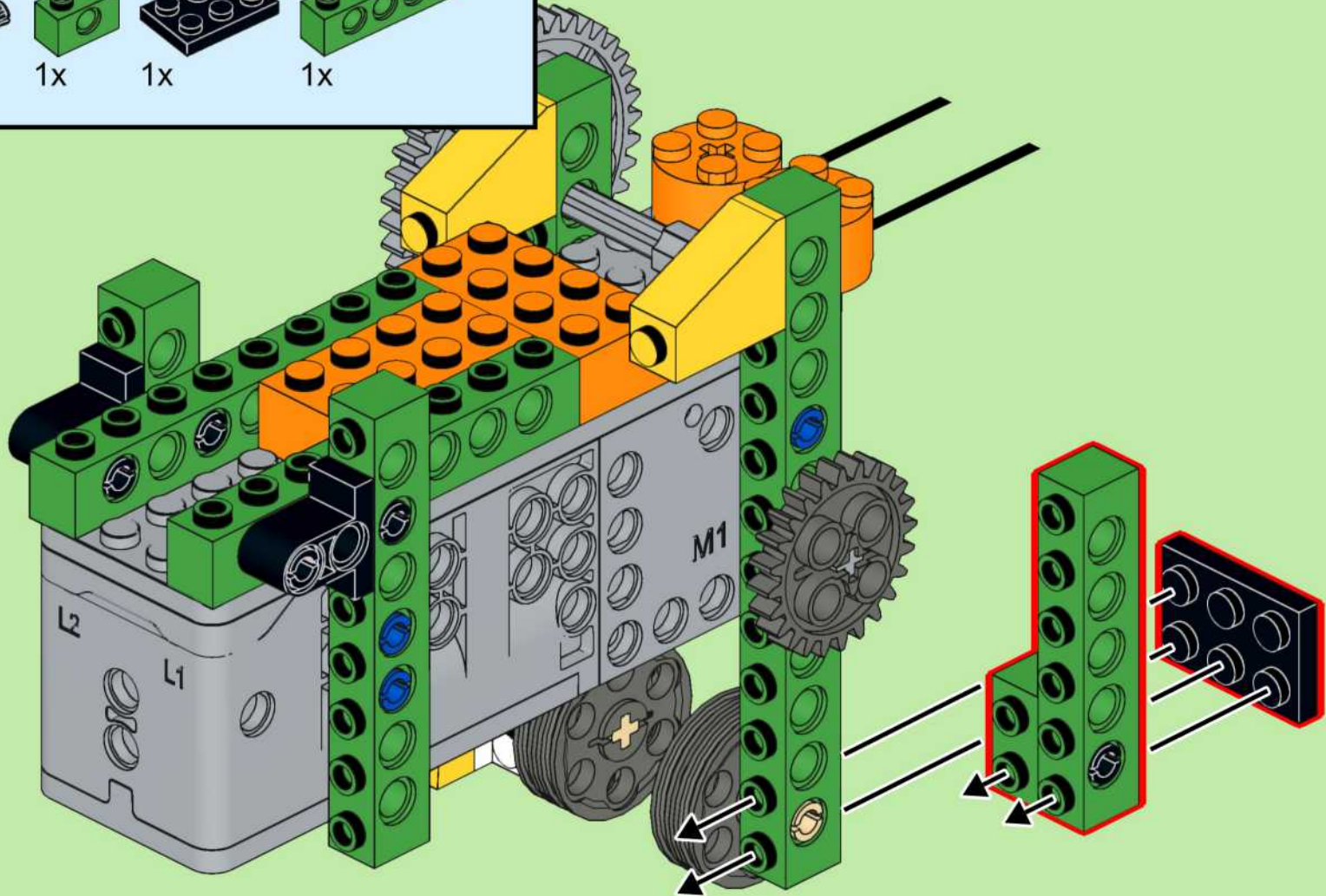
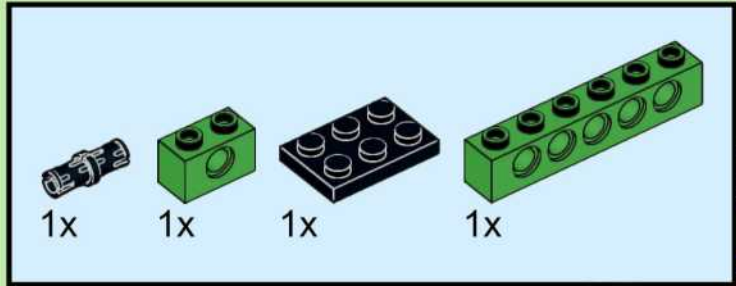


# 16

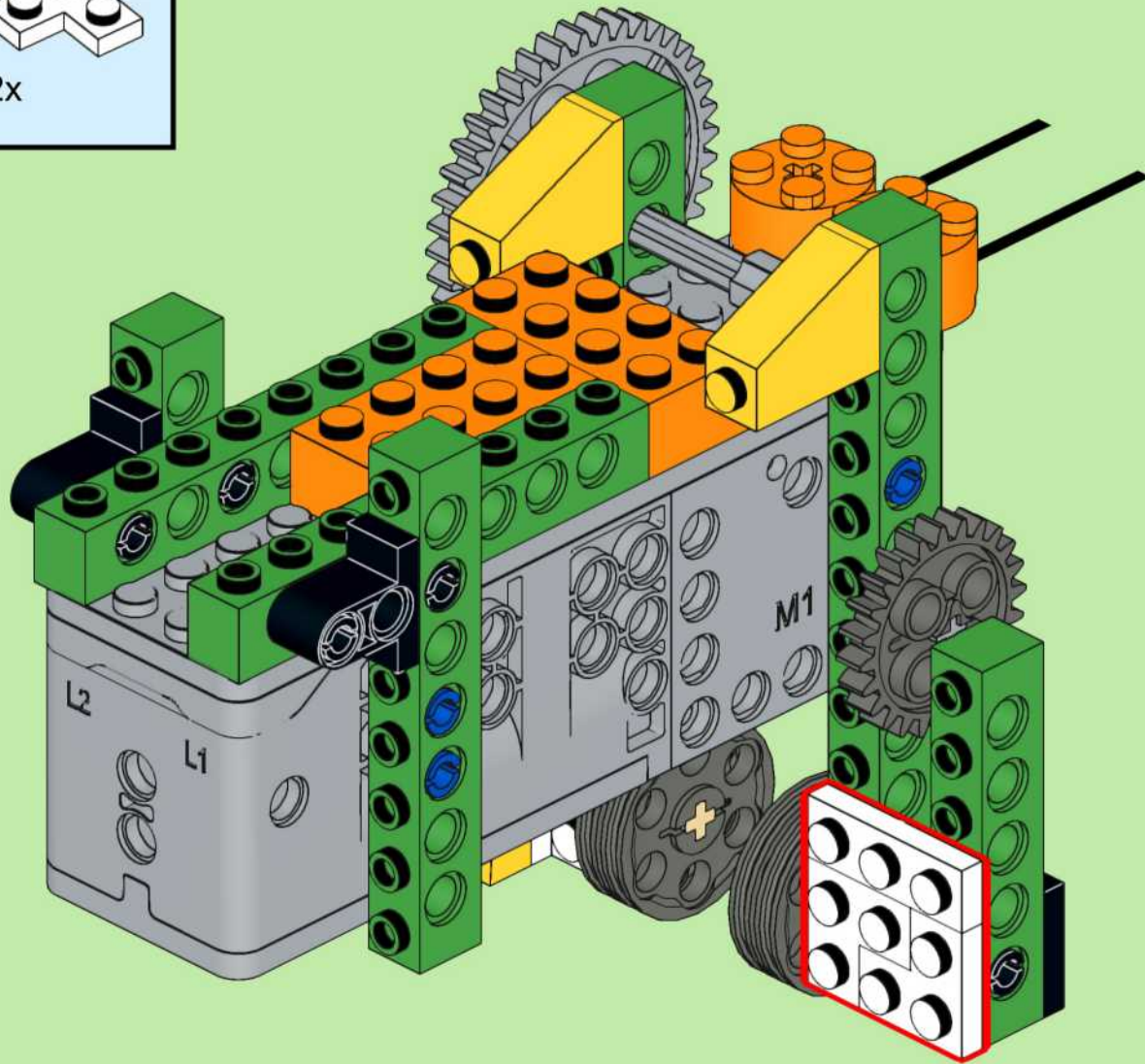
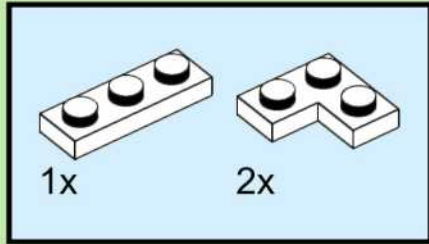




# 17

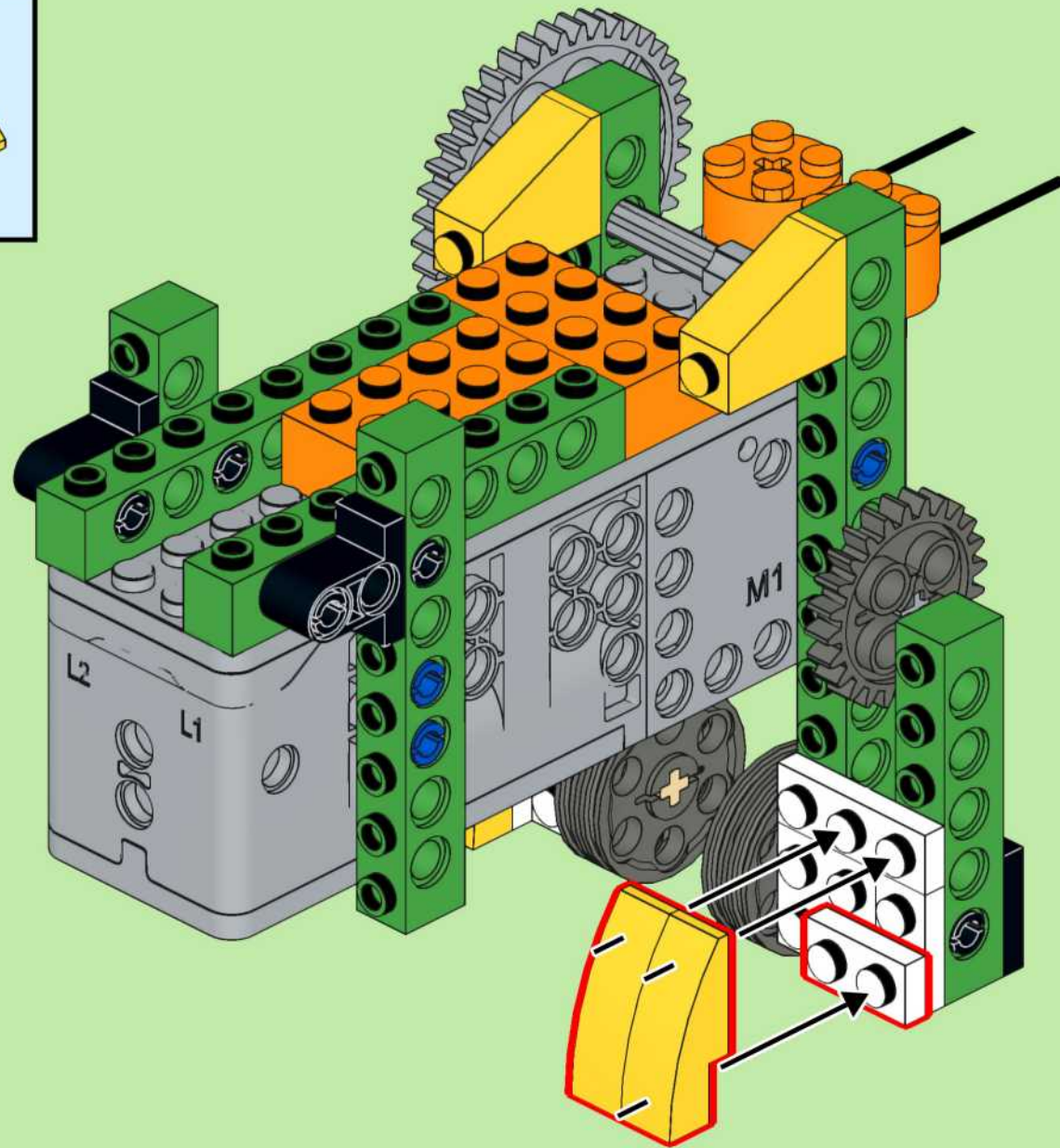
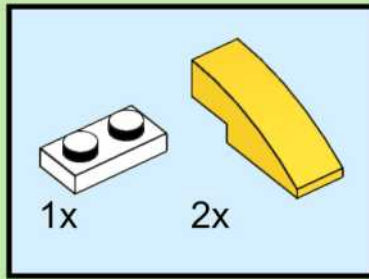


# 18

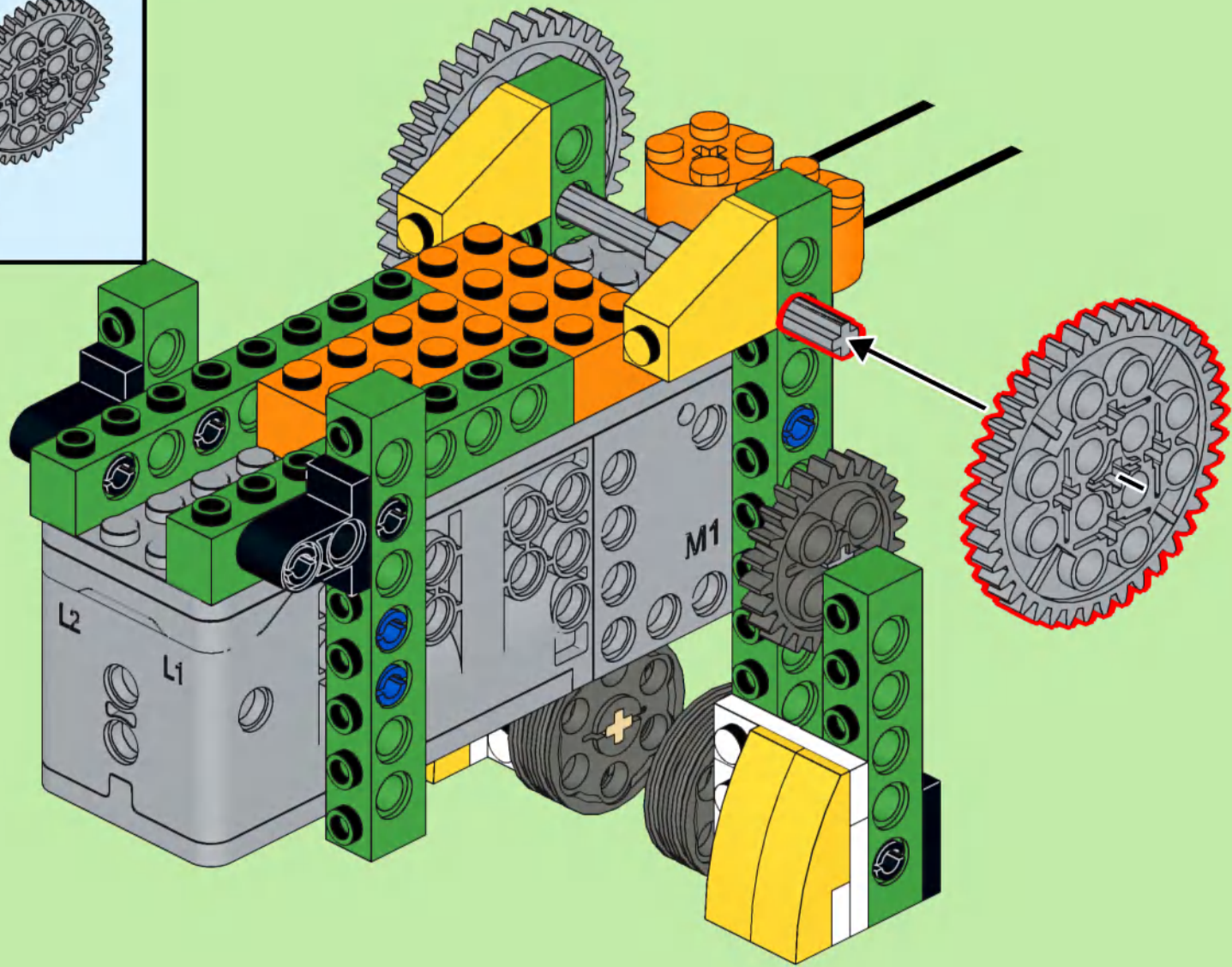
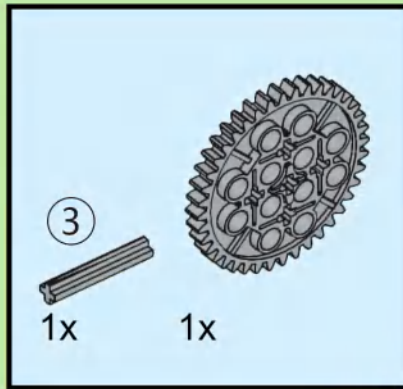




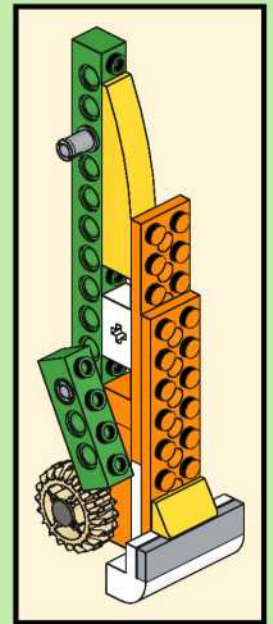
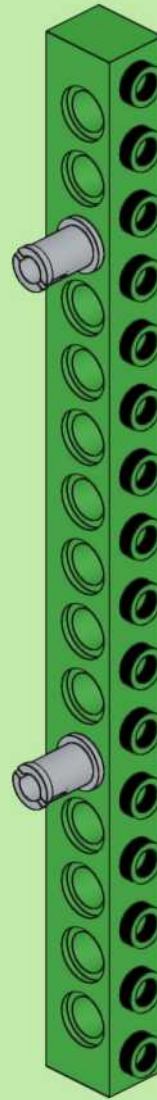
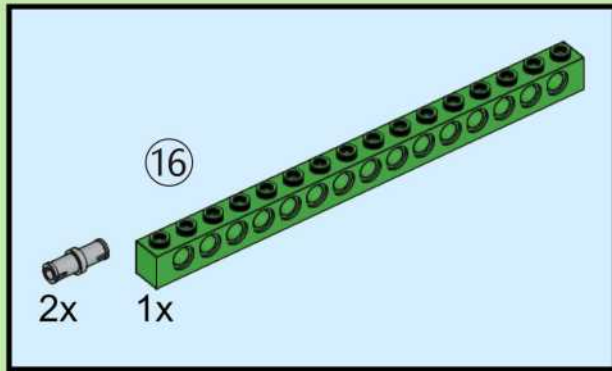
# 19



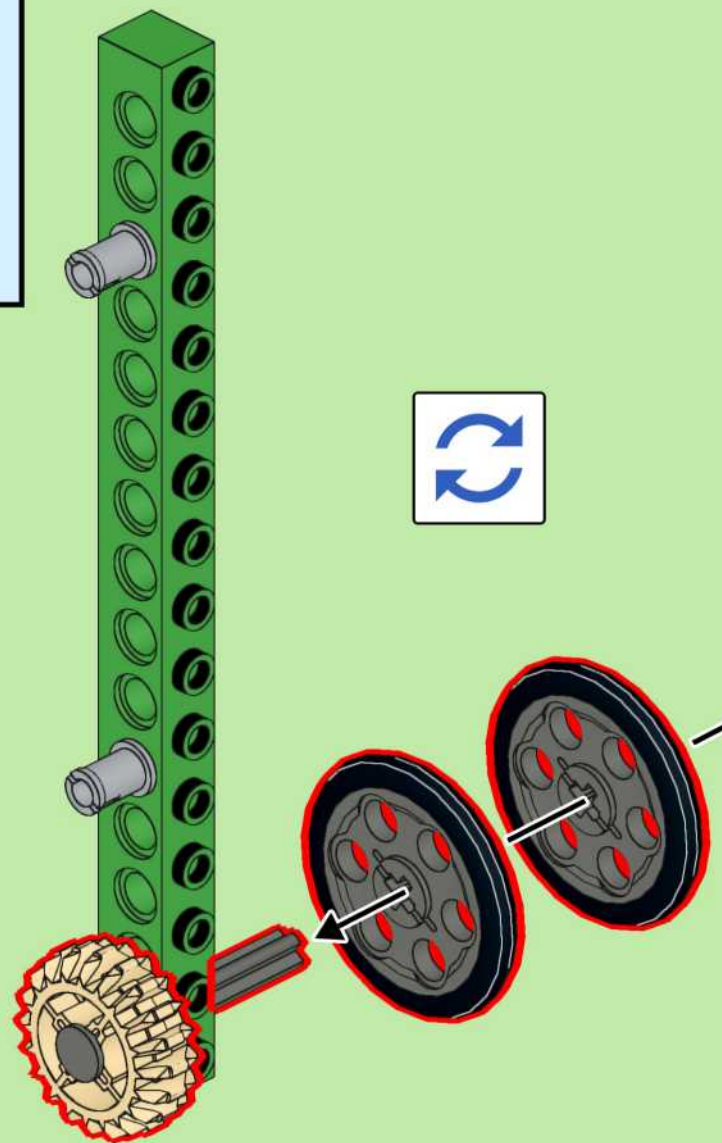
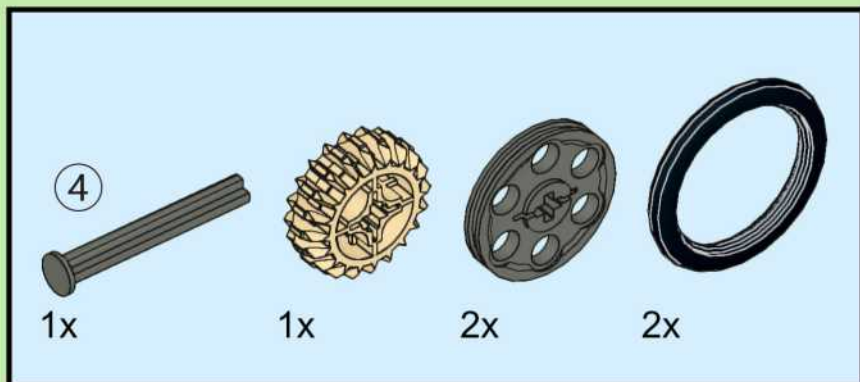
# 20



# 21

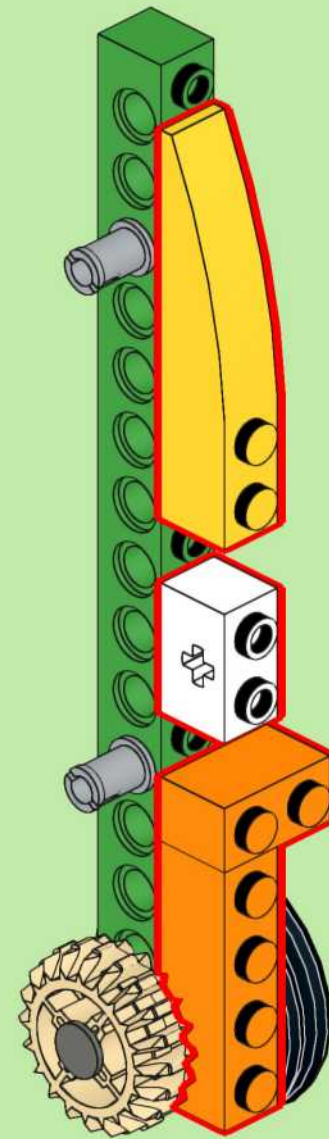
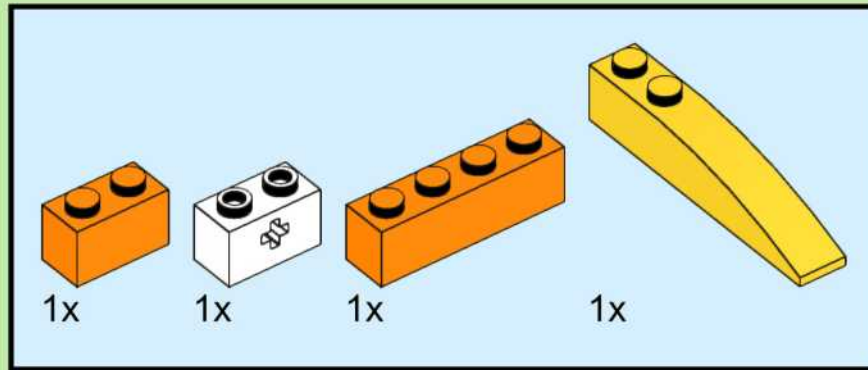


# 22



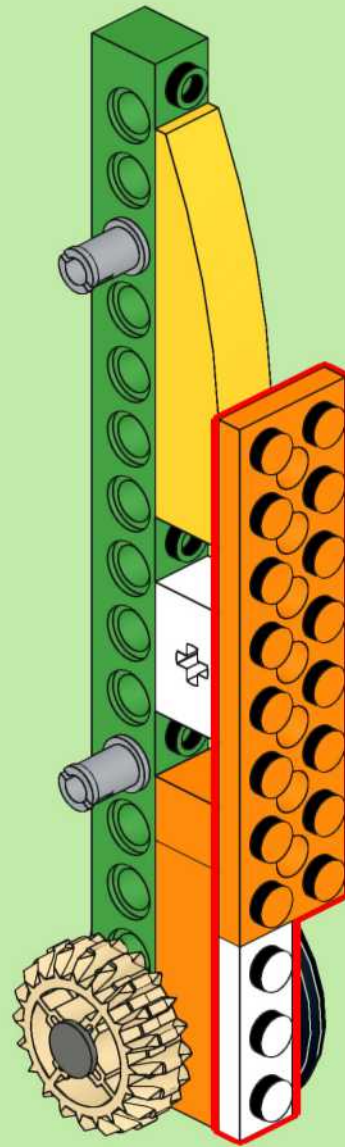
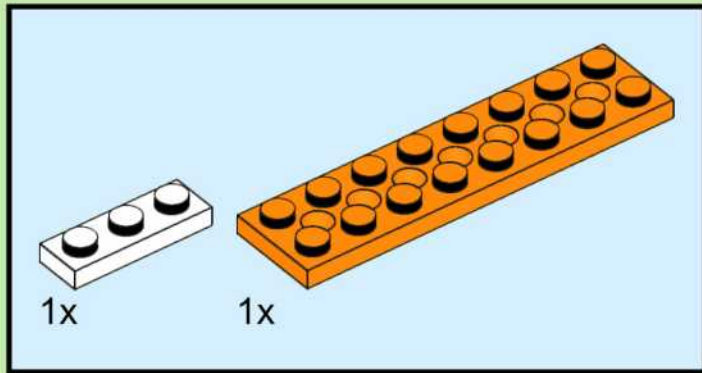


# 23

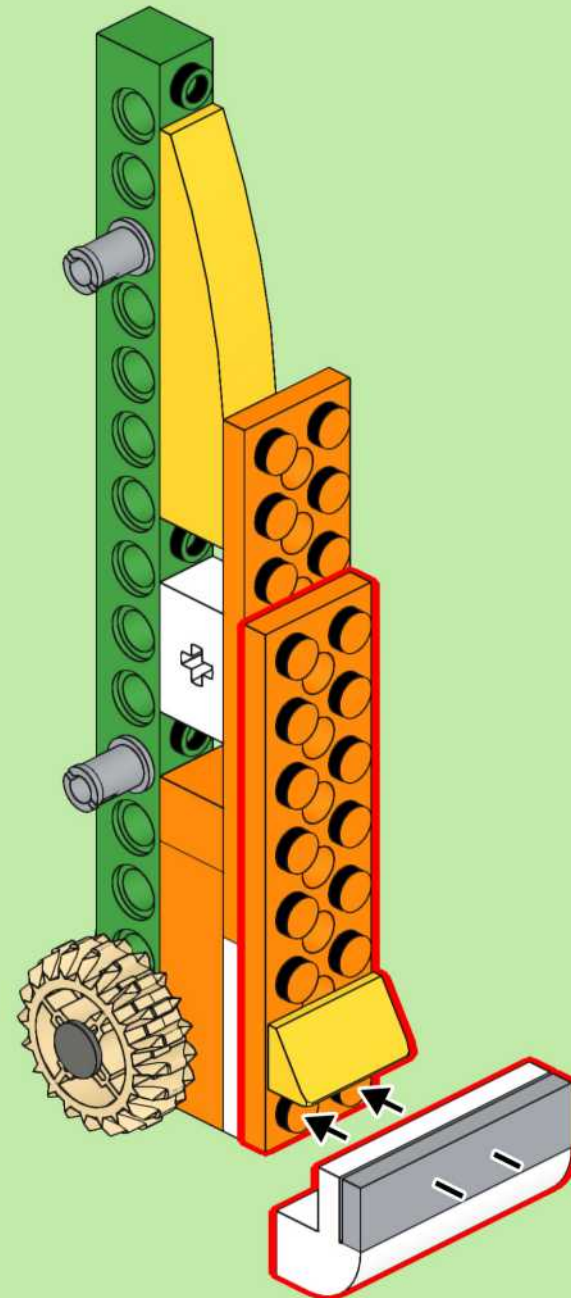
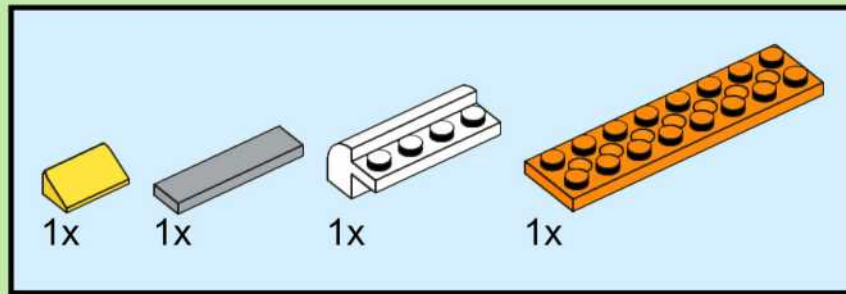




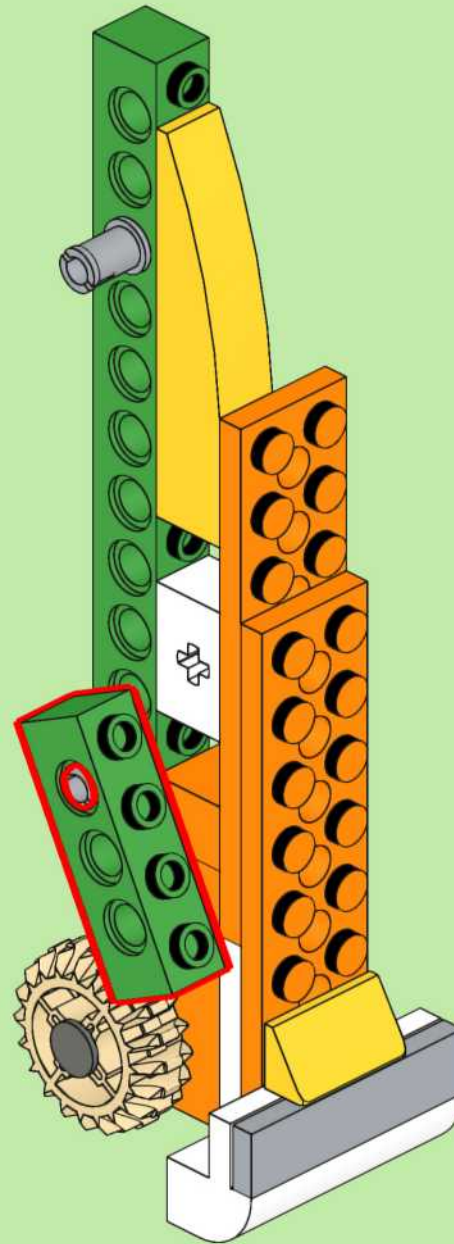
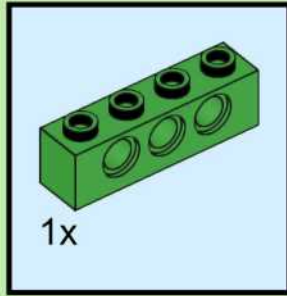
# 24



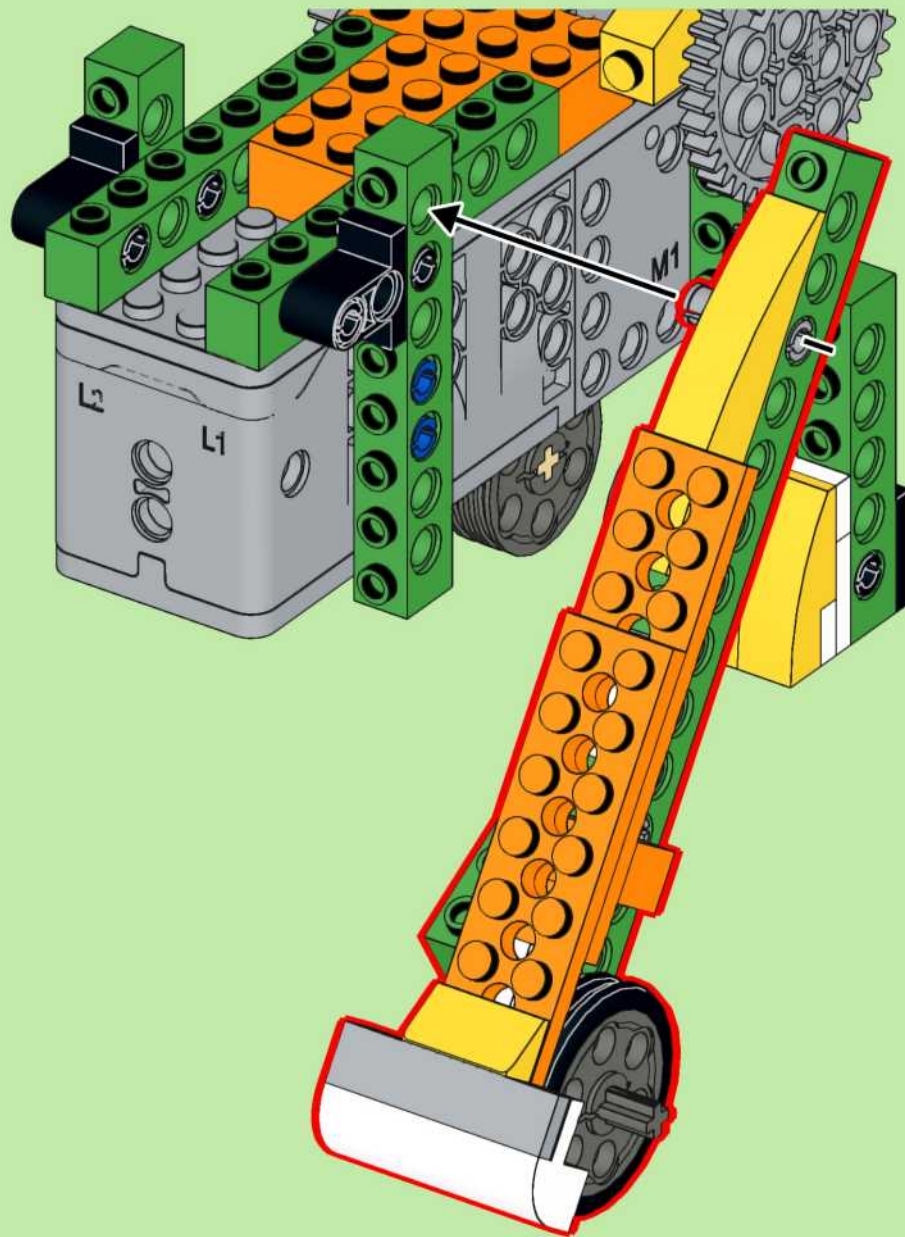
# 25



# 26

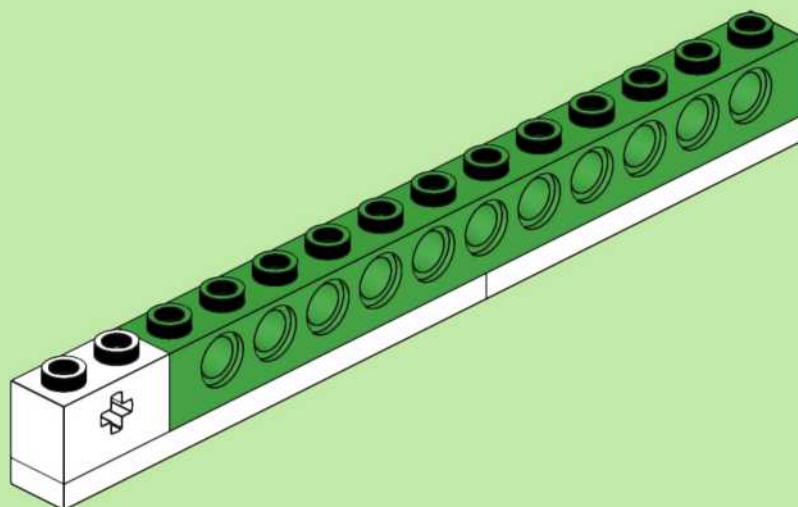
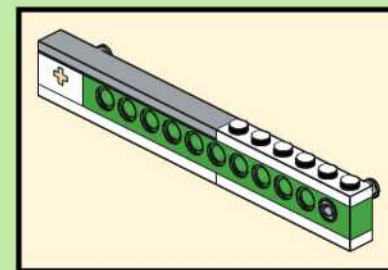
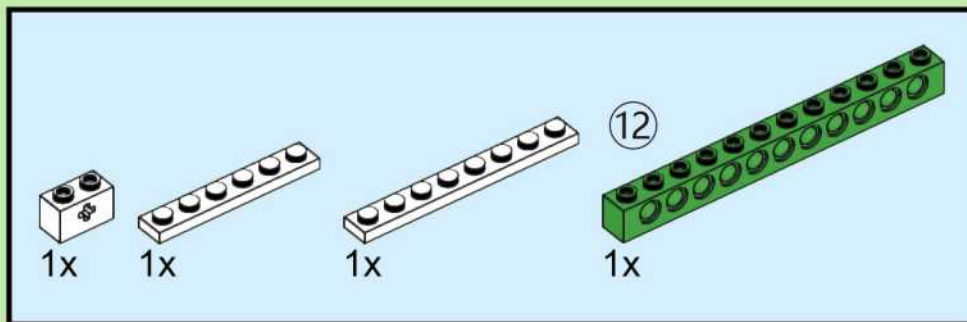


# 27

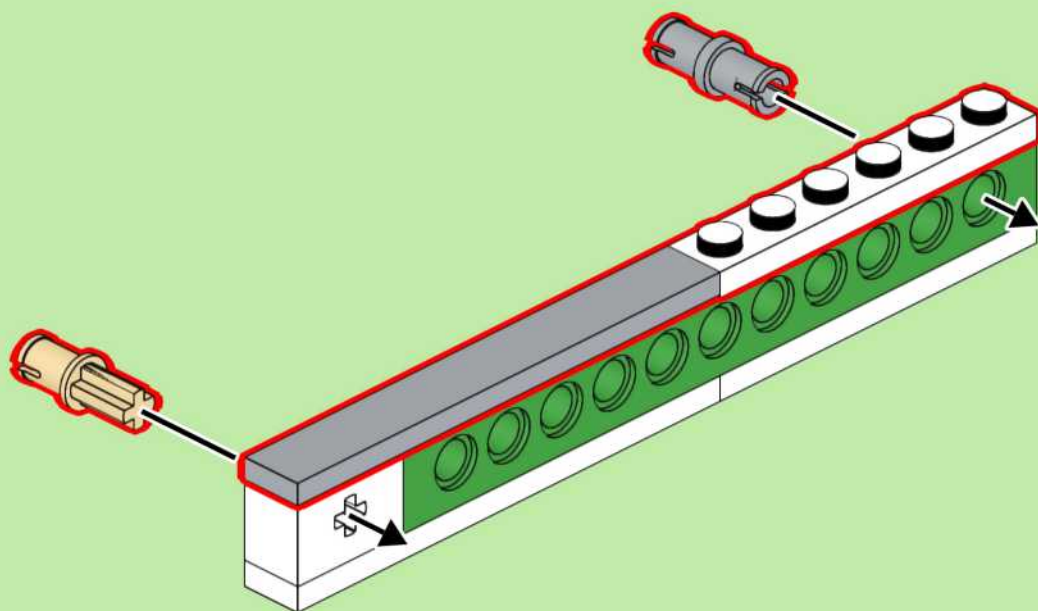
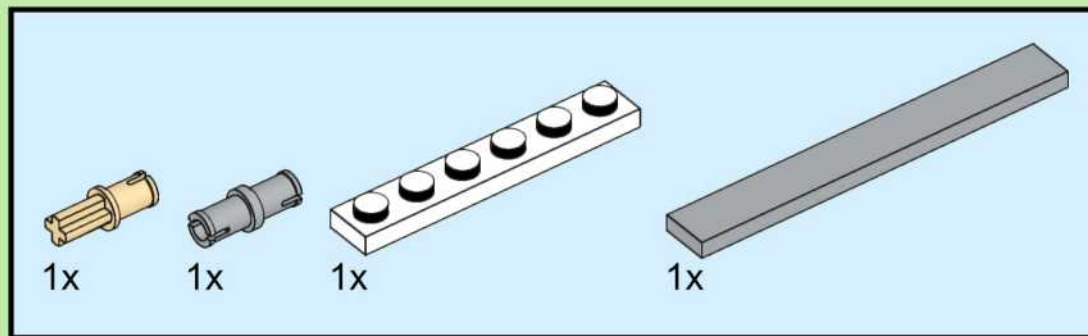




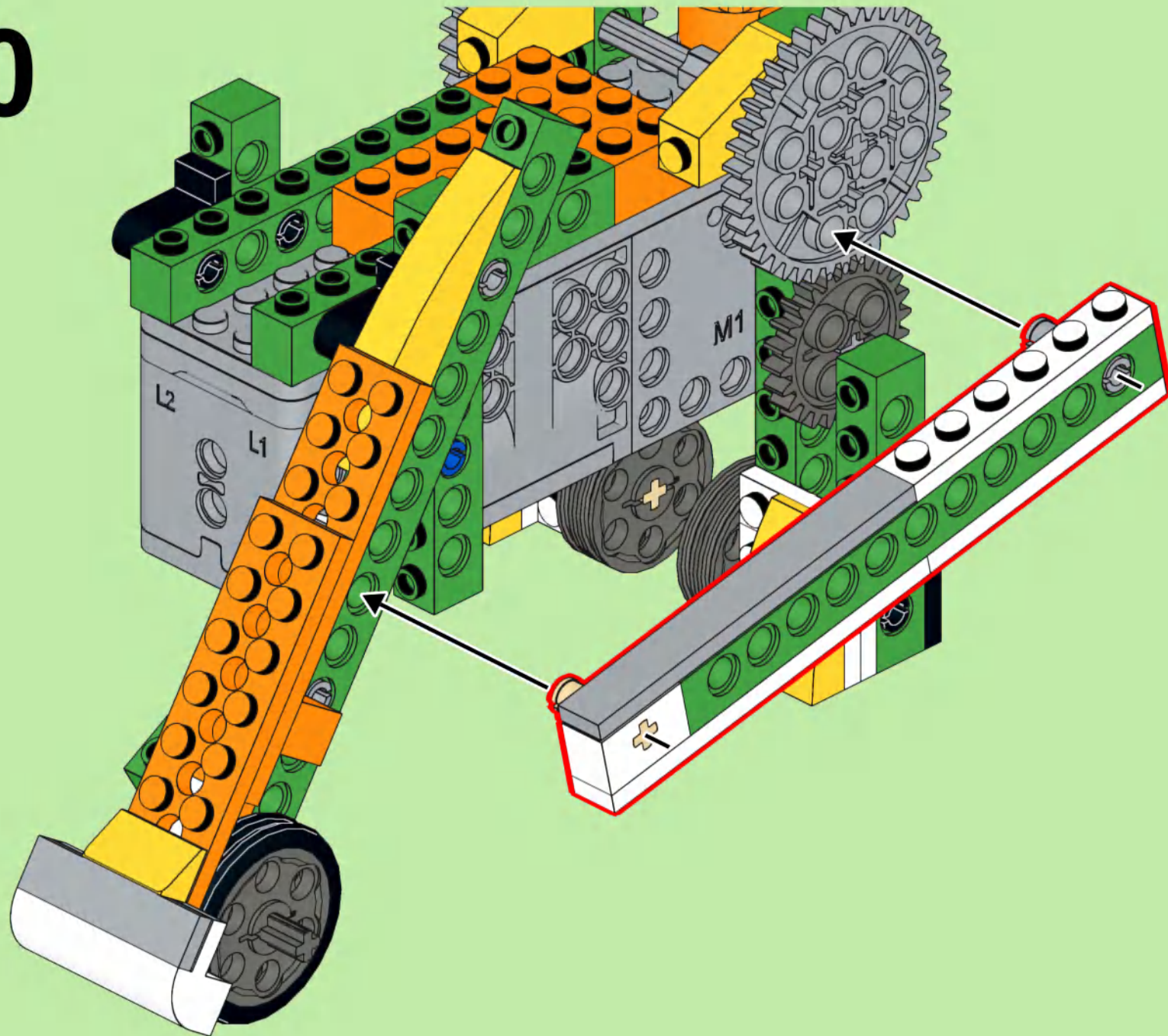
# 28



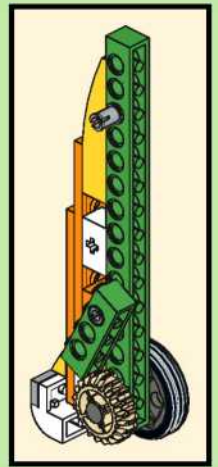
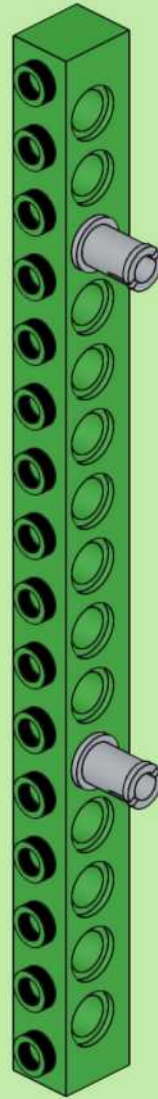
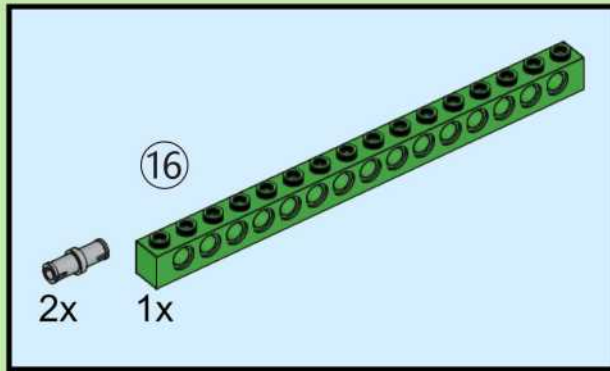
# 29



30

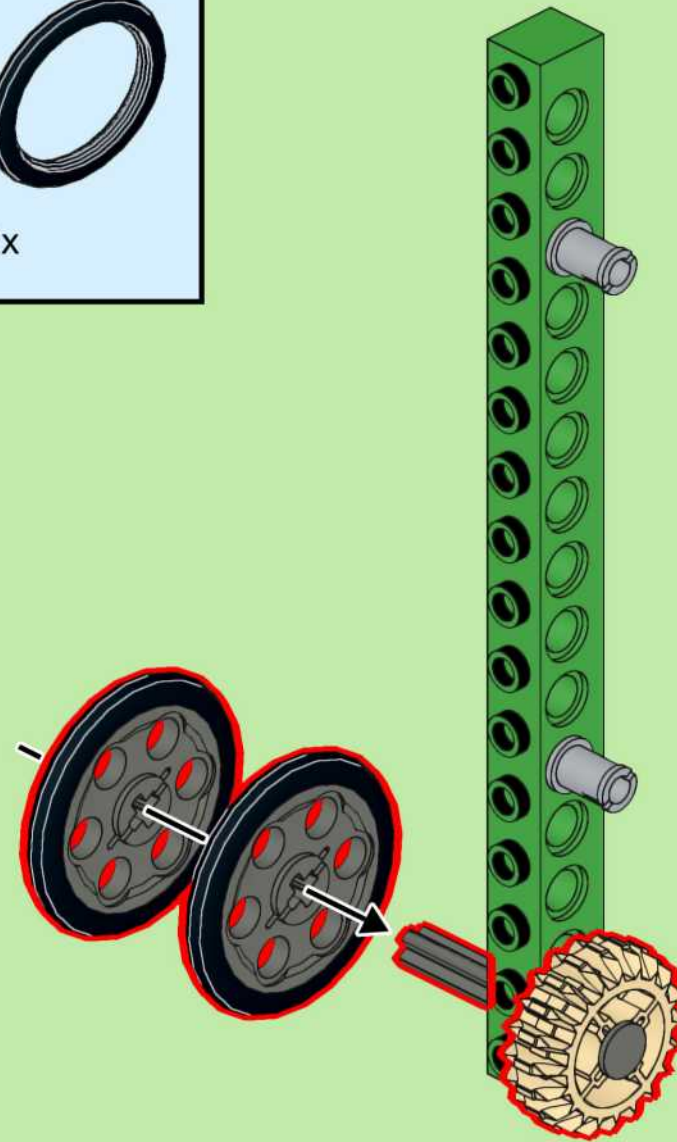
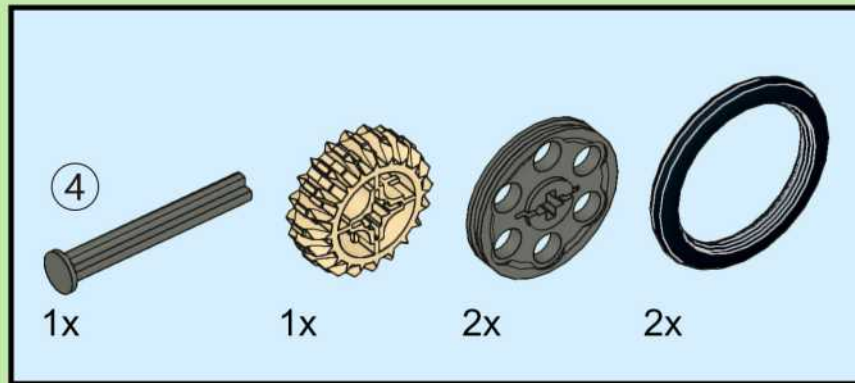


# 31

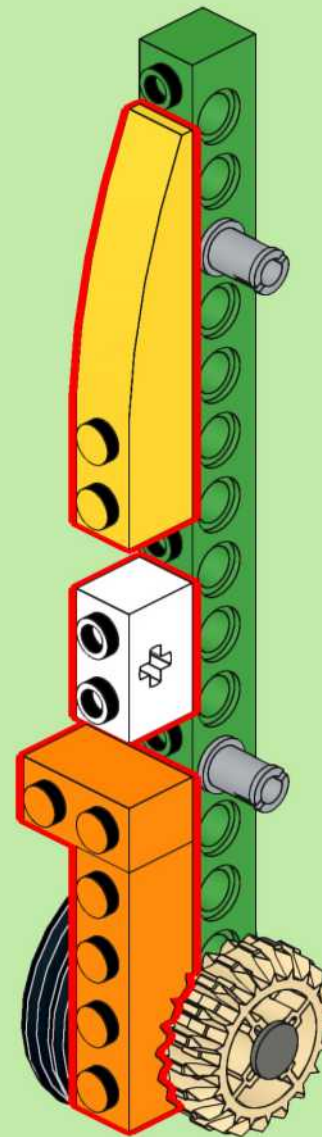
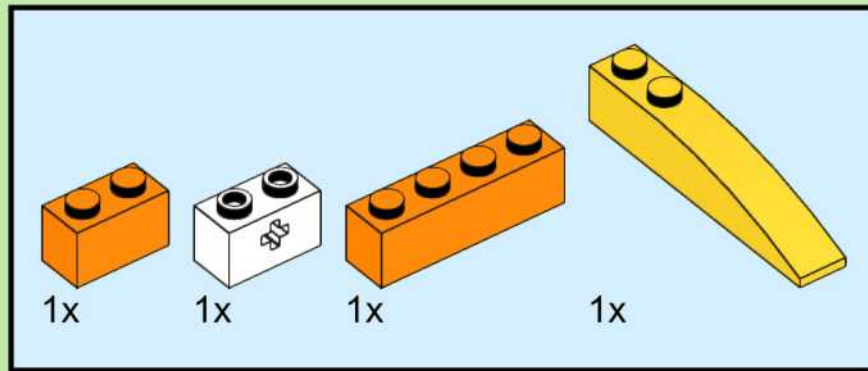




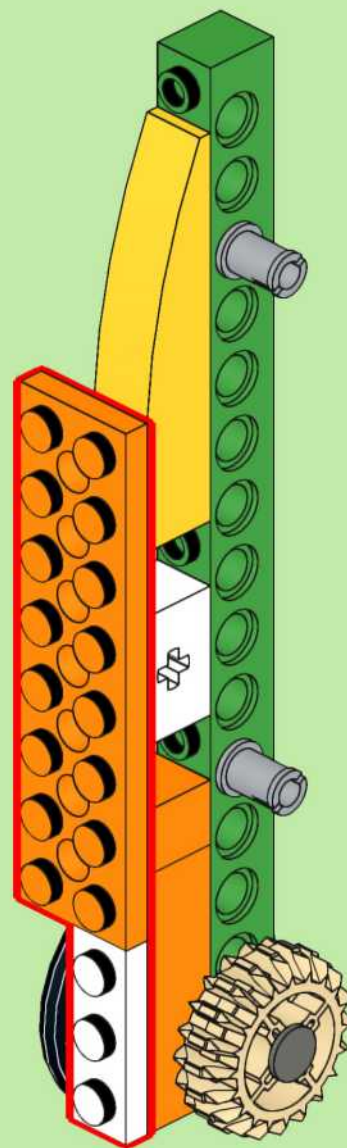
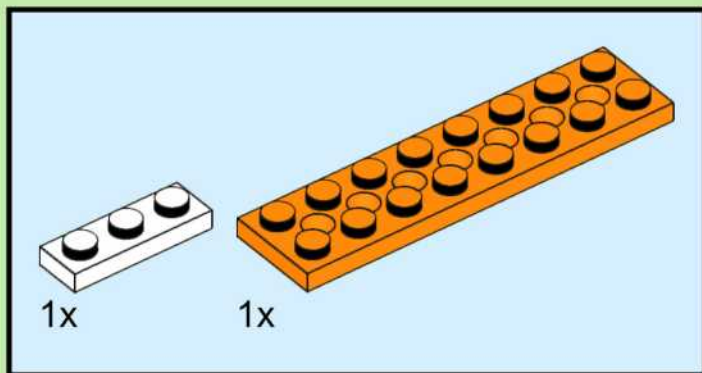
# 32



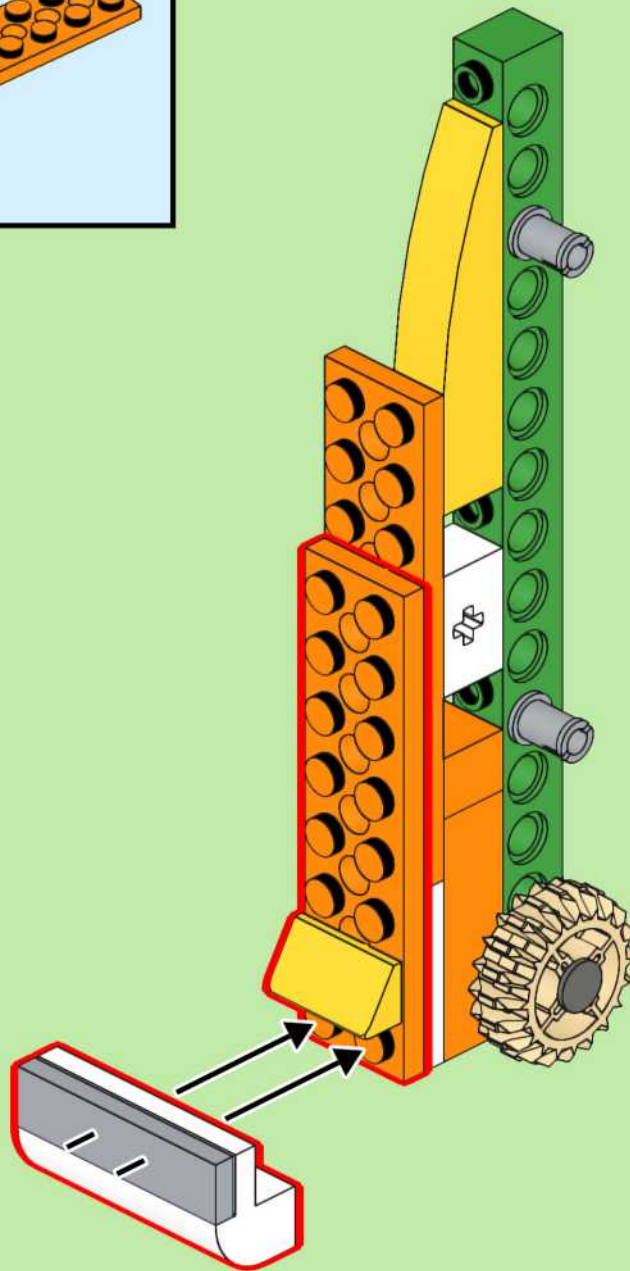
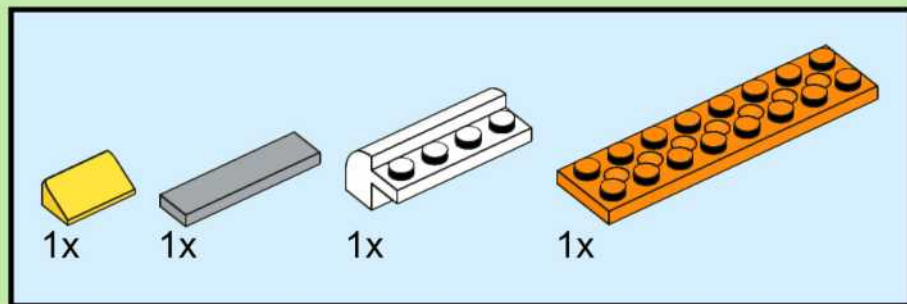
# 33



# 34

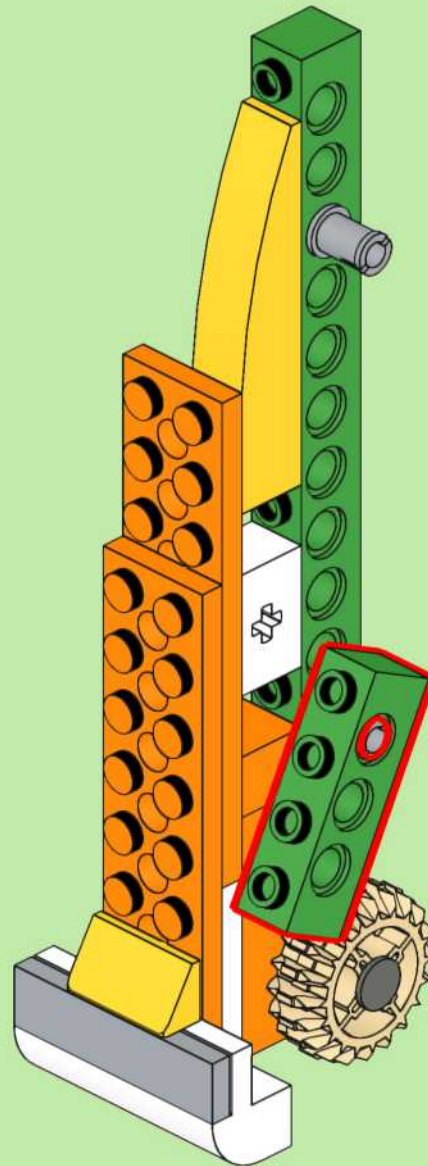
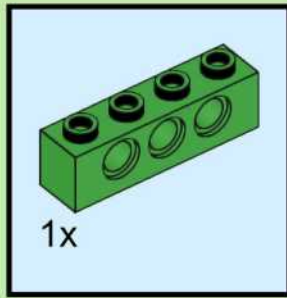


# 35

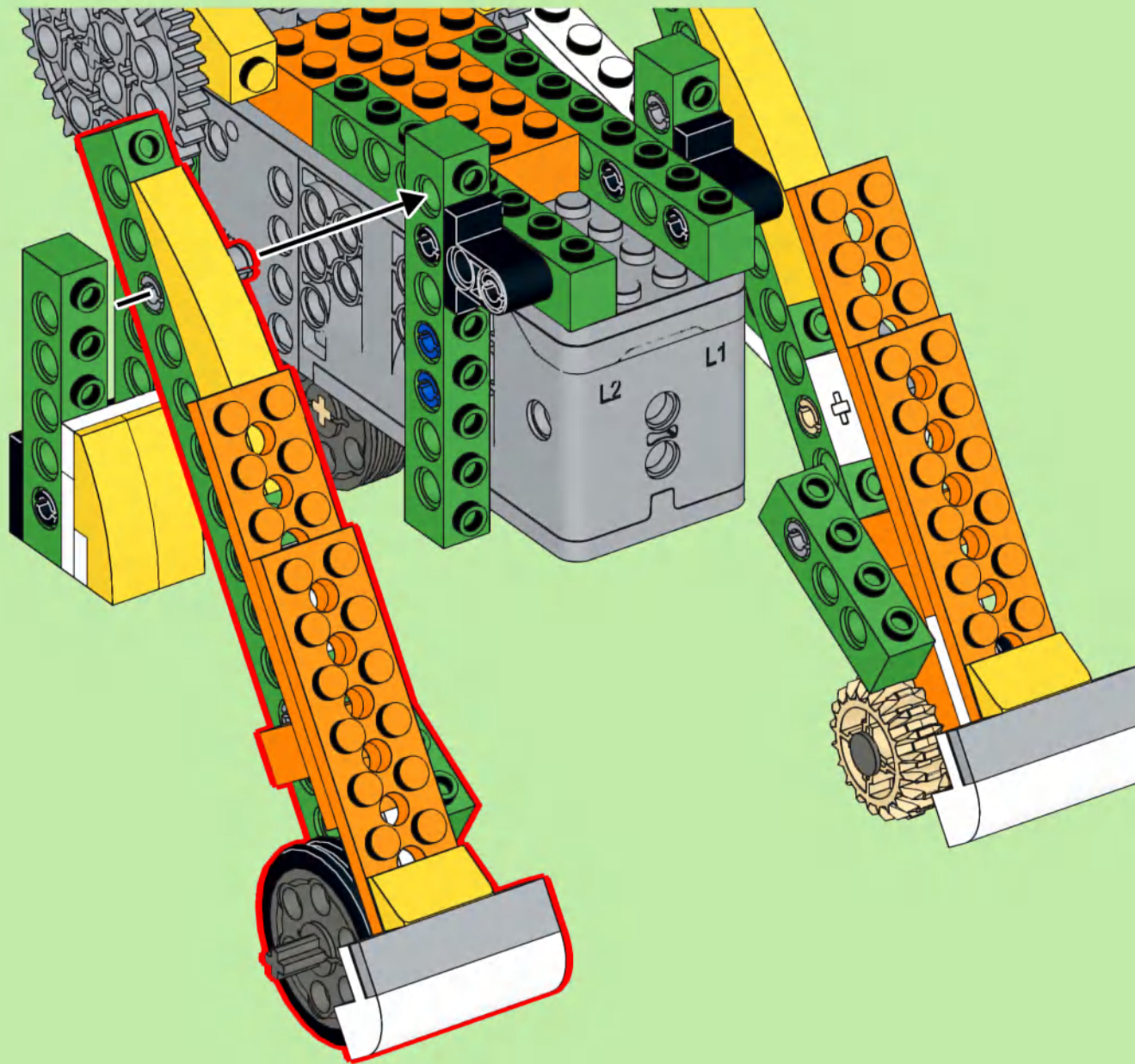




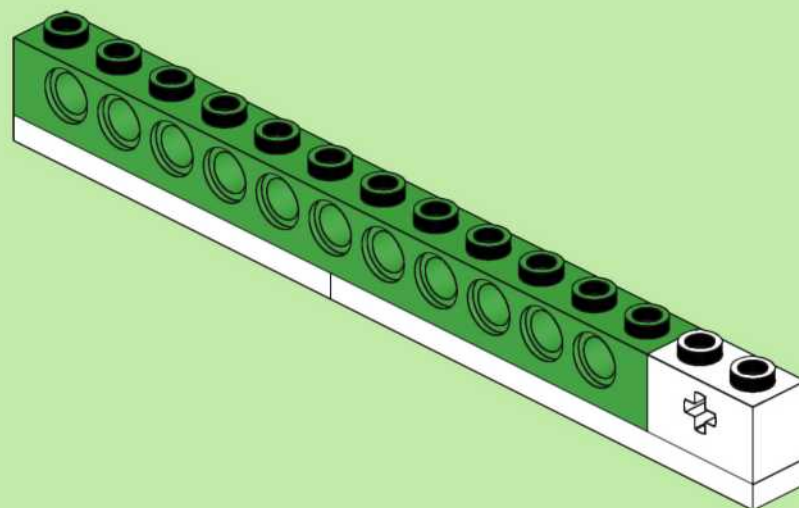
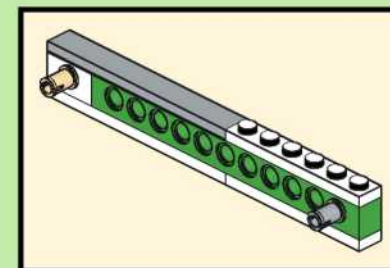
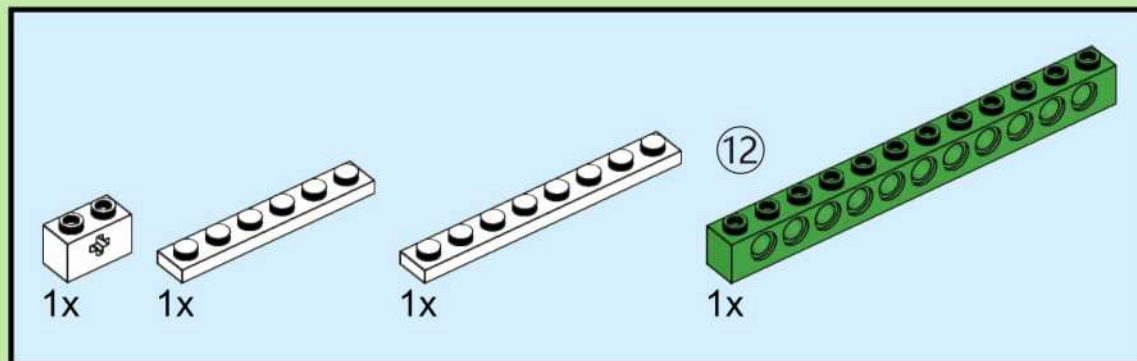
# 36



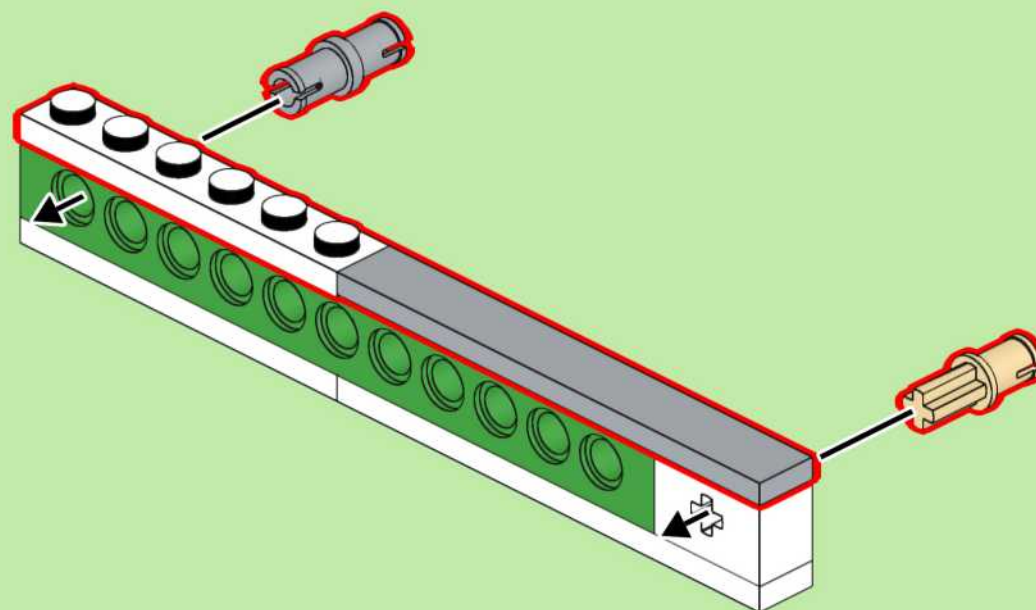
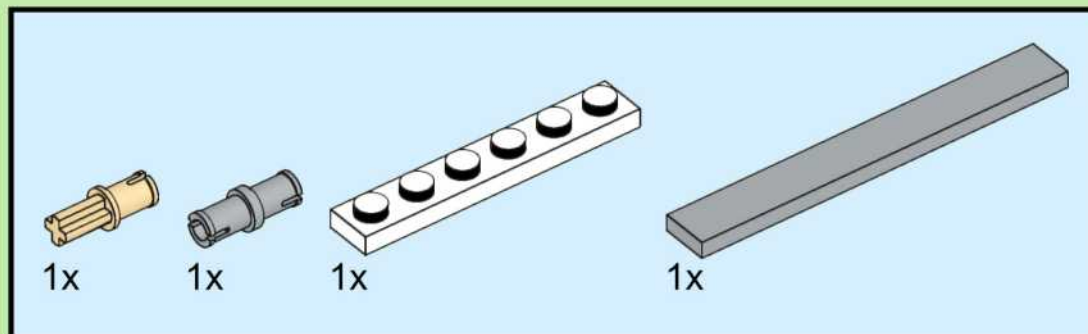
# 37



# 38

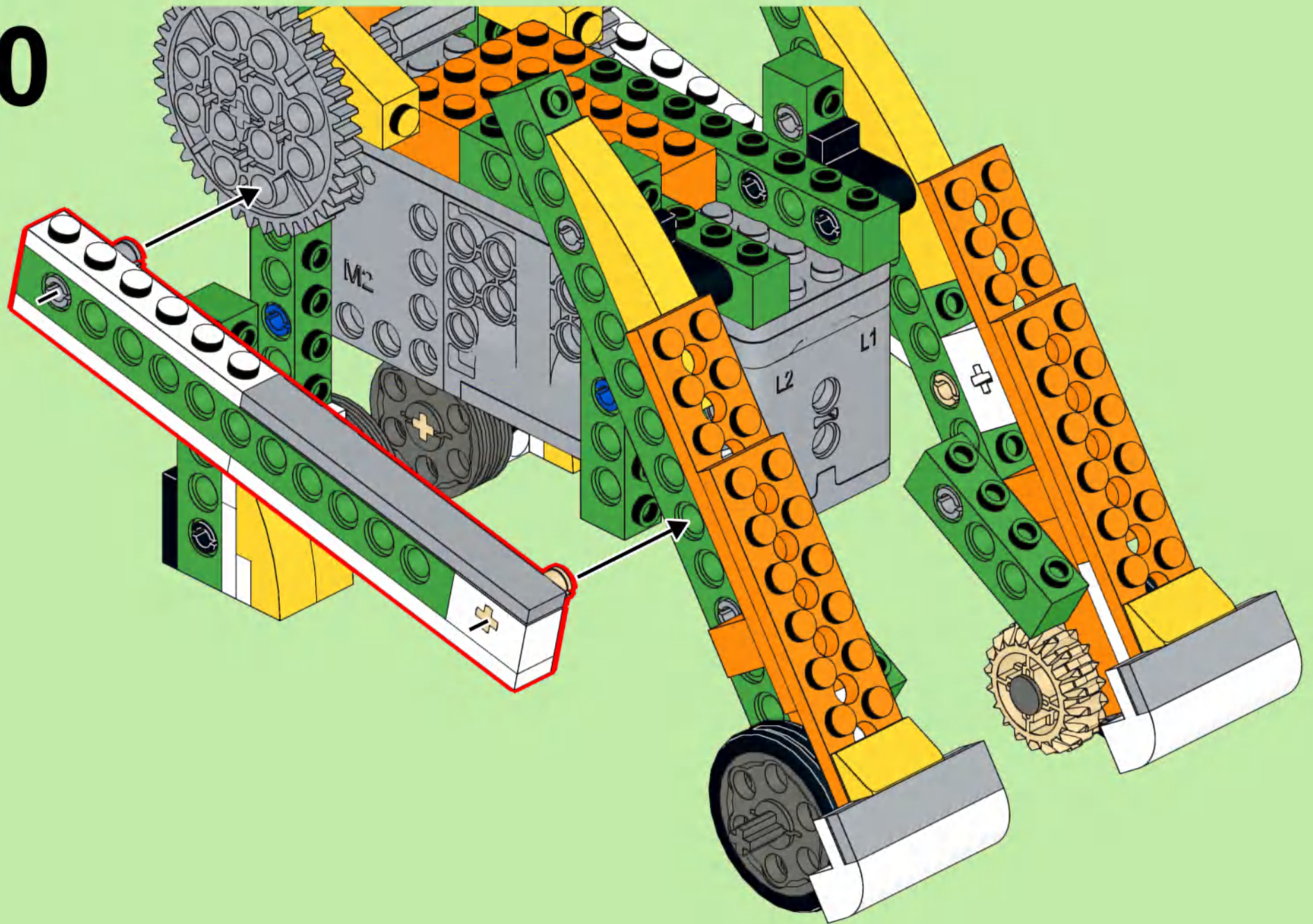


# 39

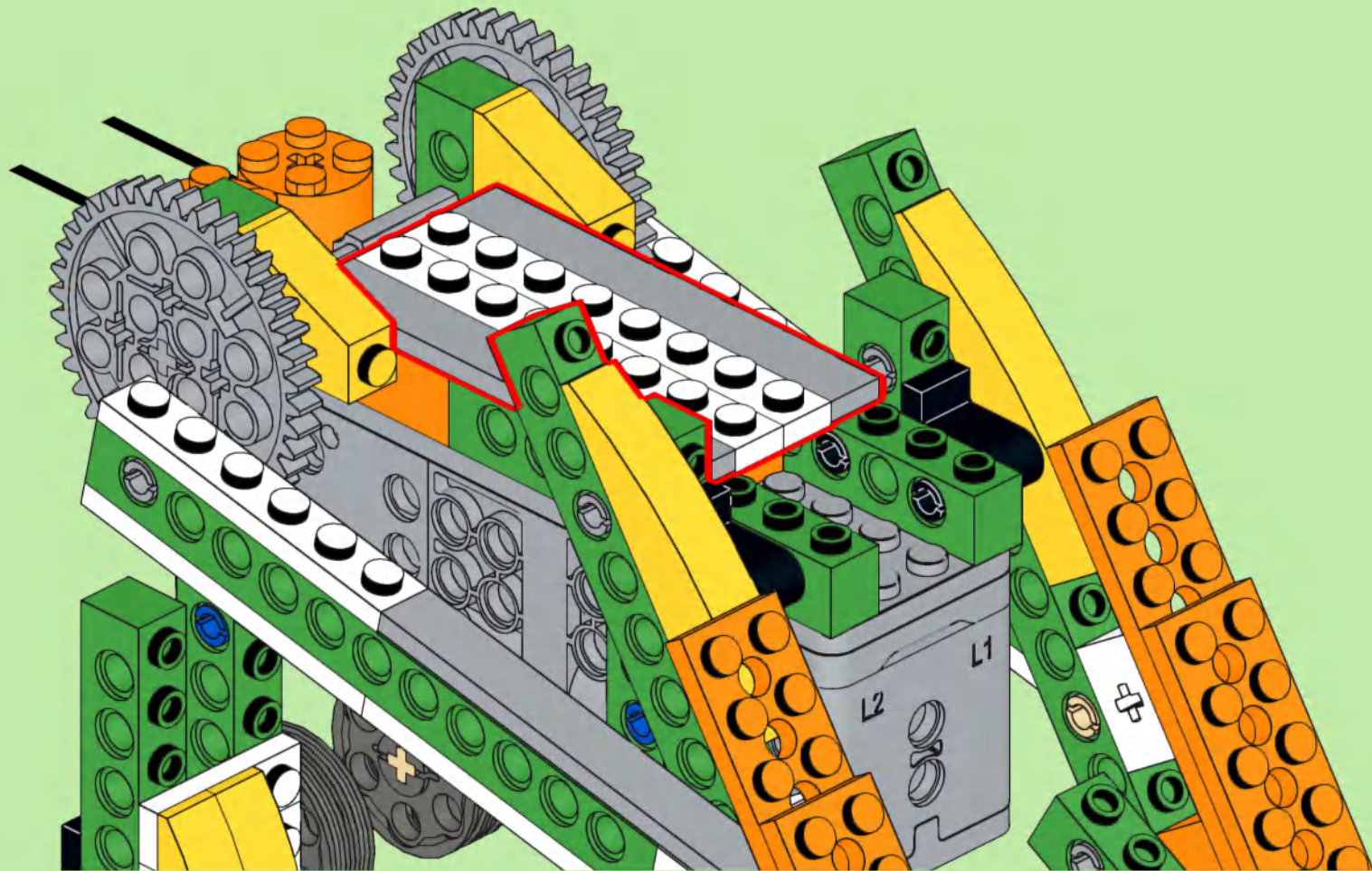
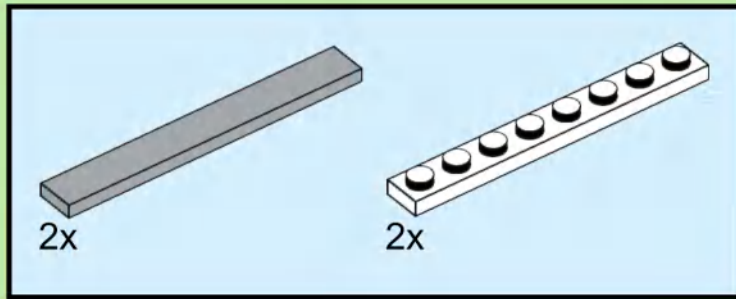




40

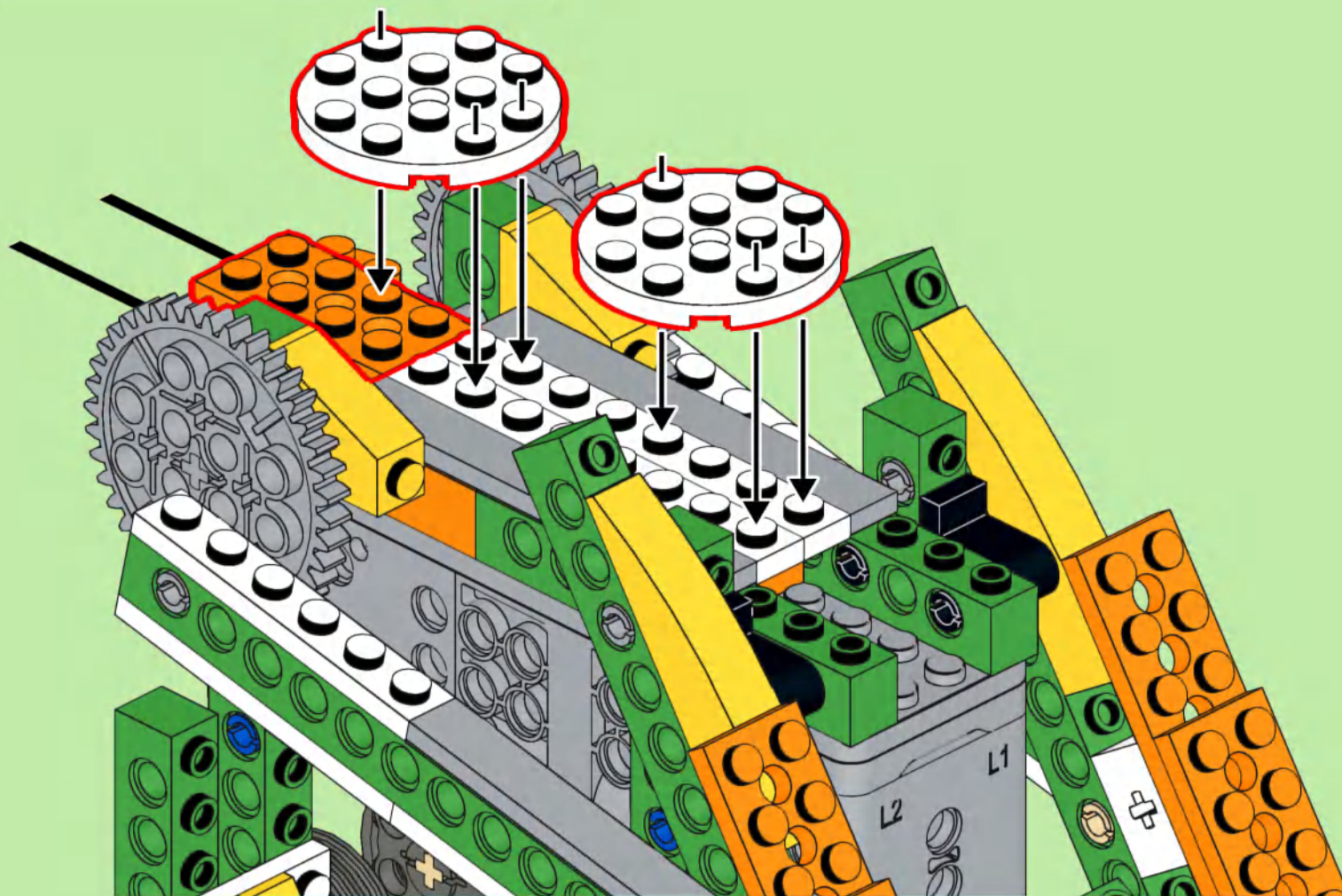
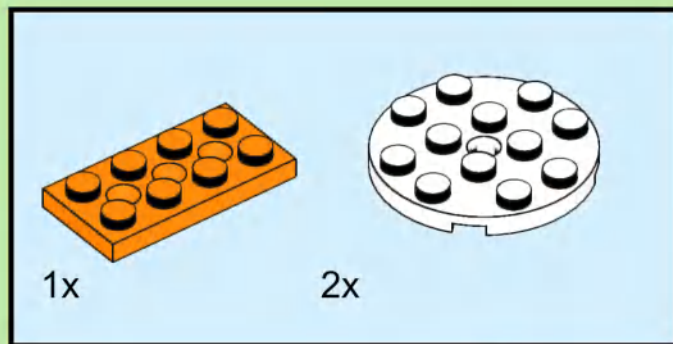


# 41

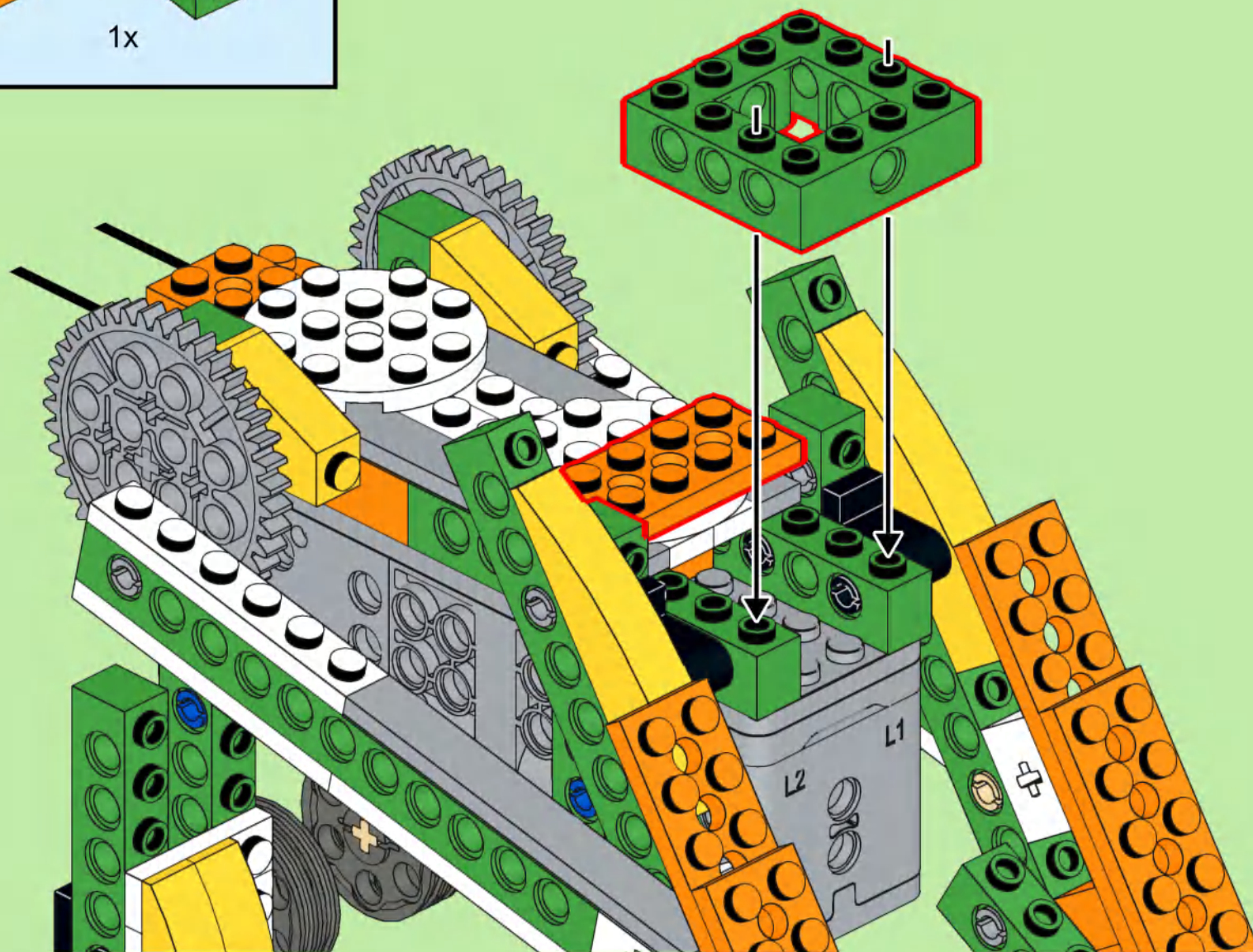
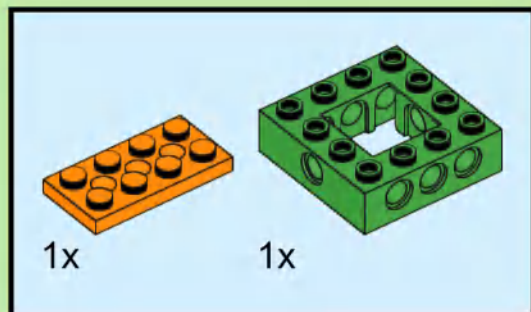




# 42

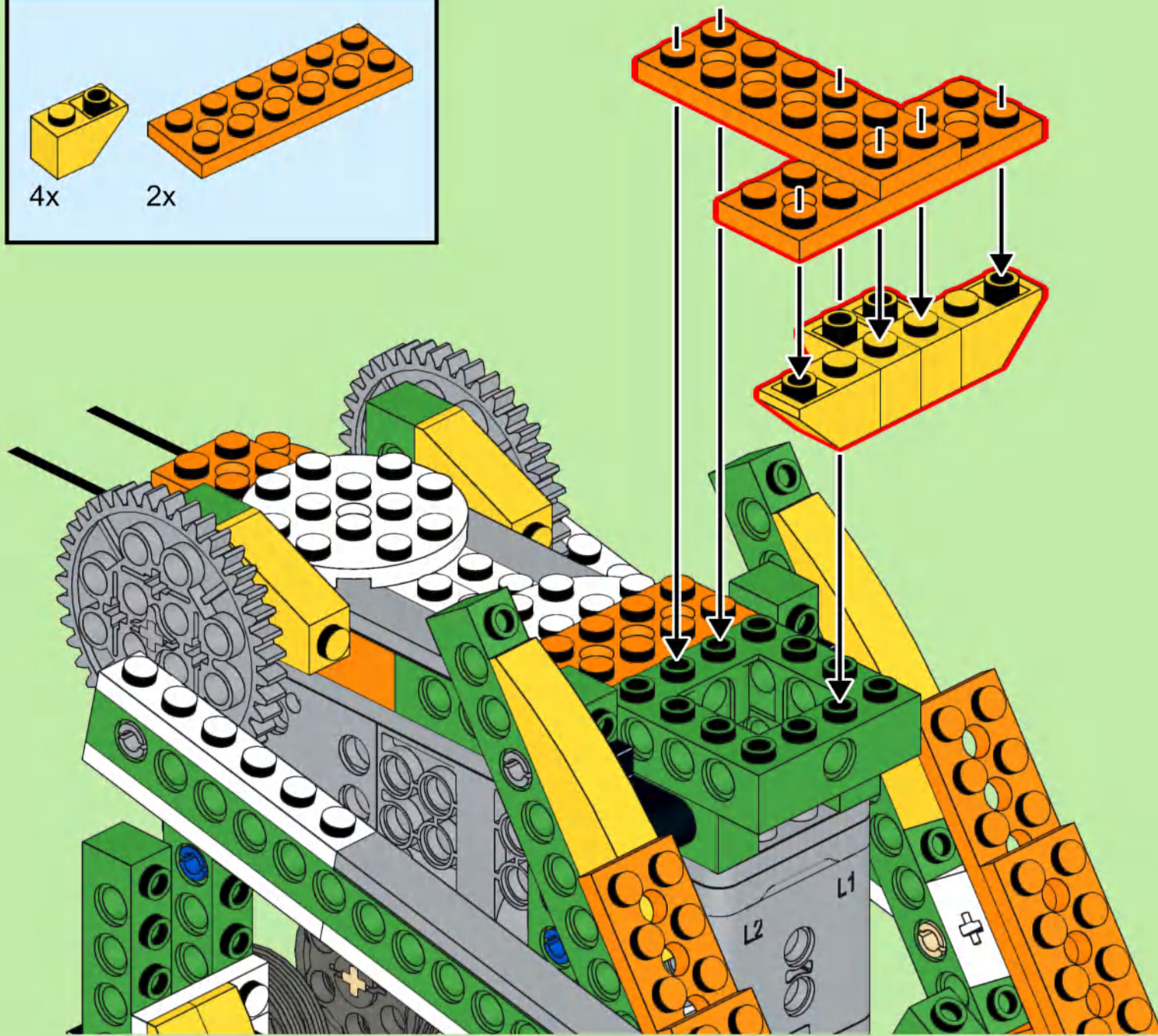
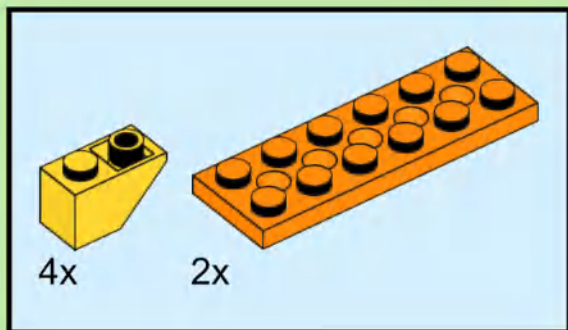


# 43

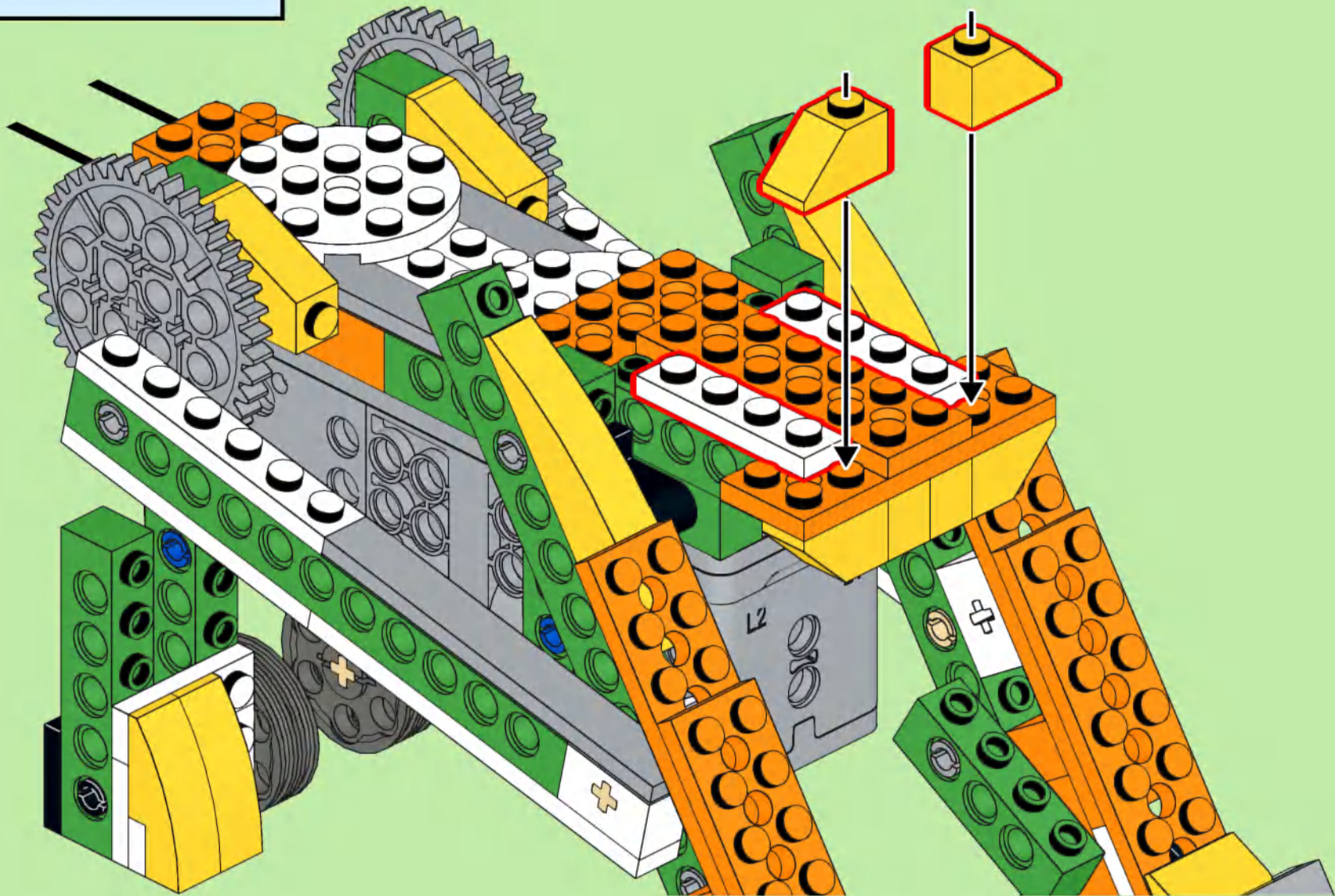
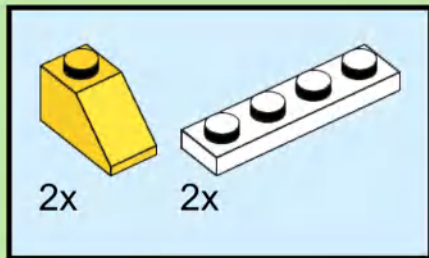




# 44

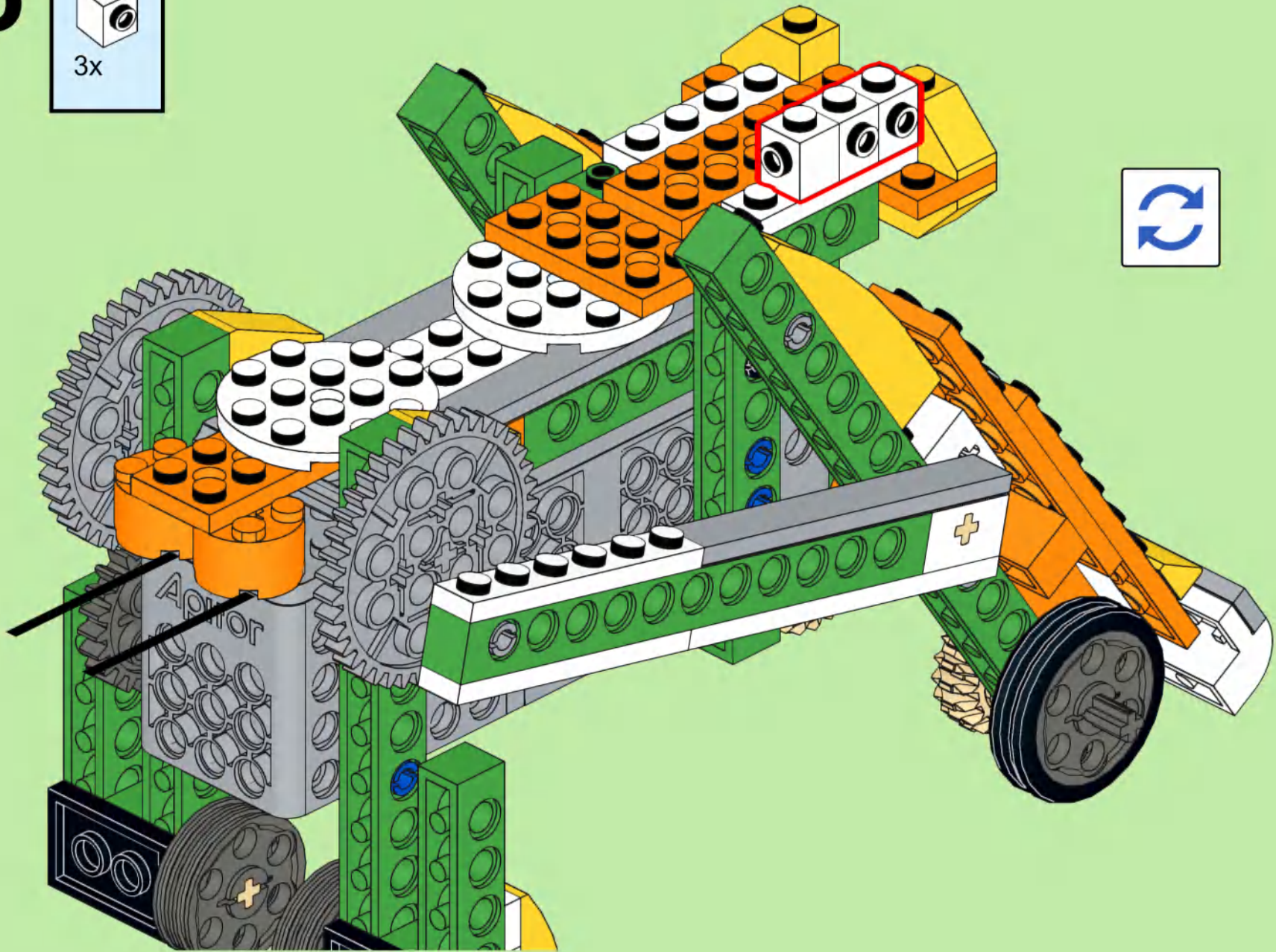
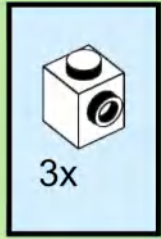


# 45



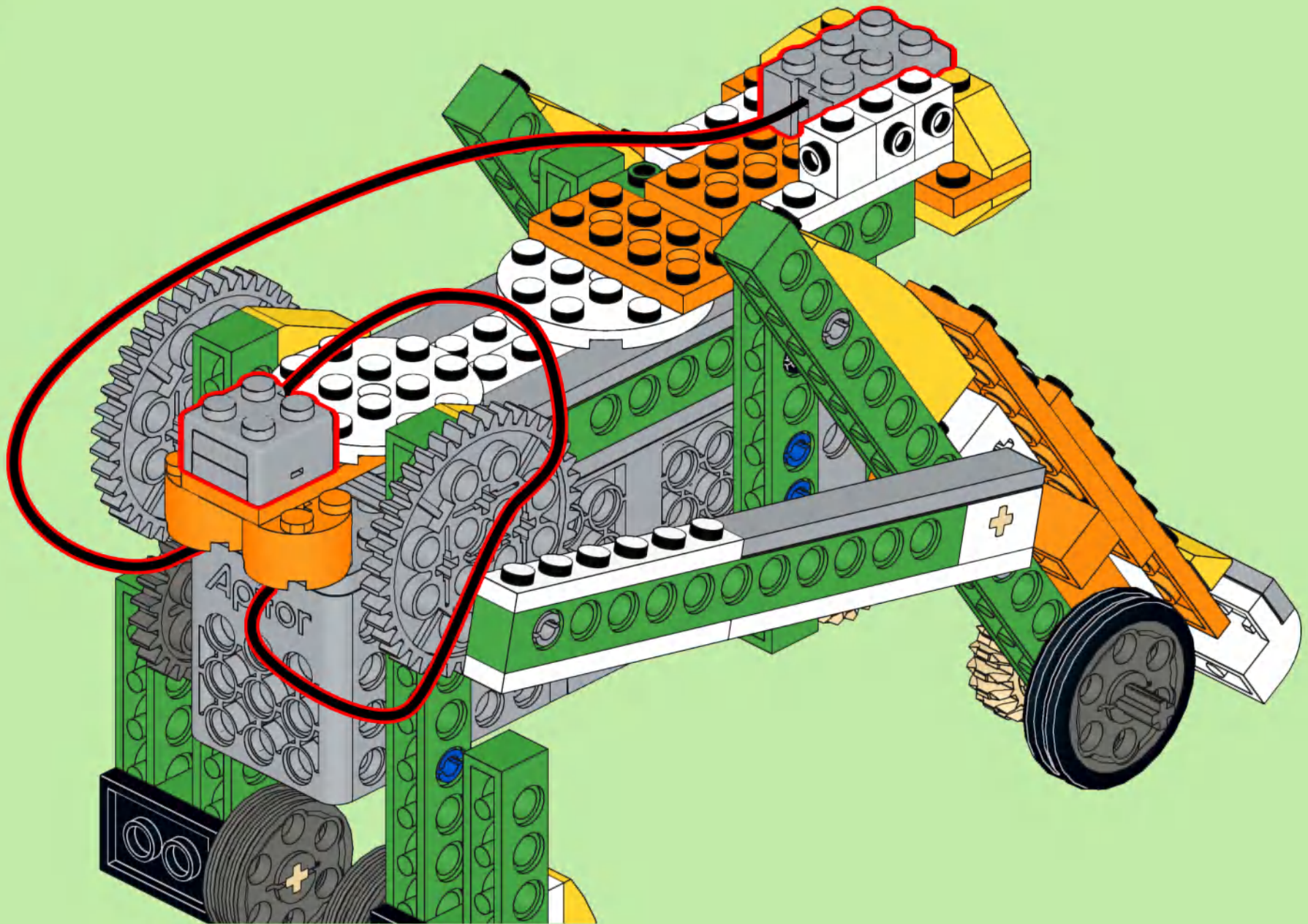


# 46



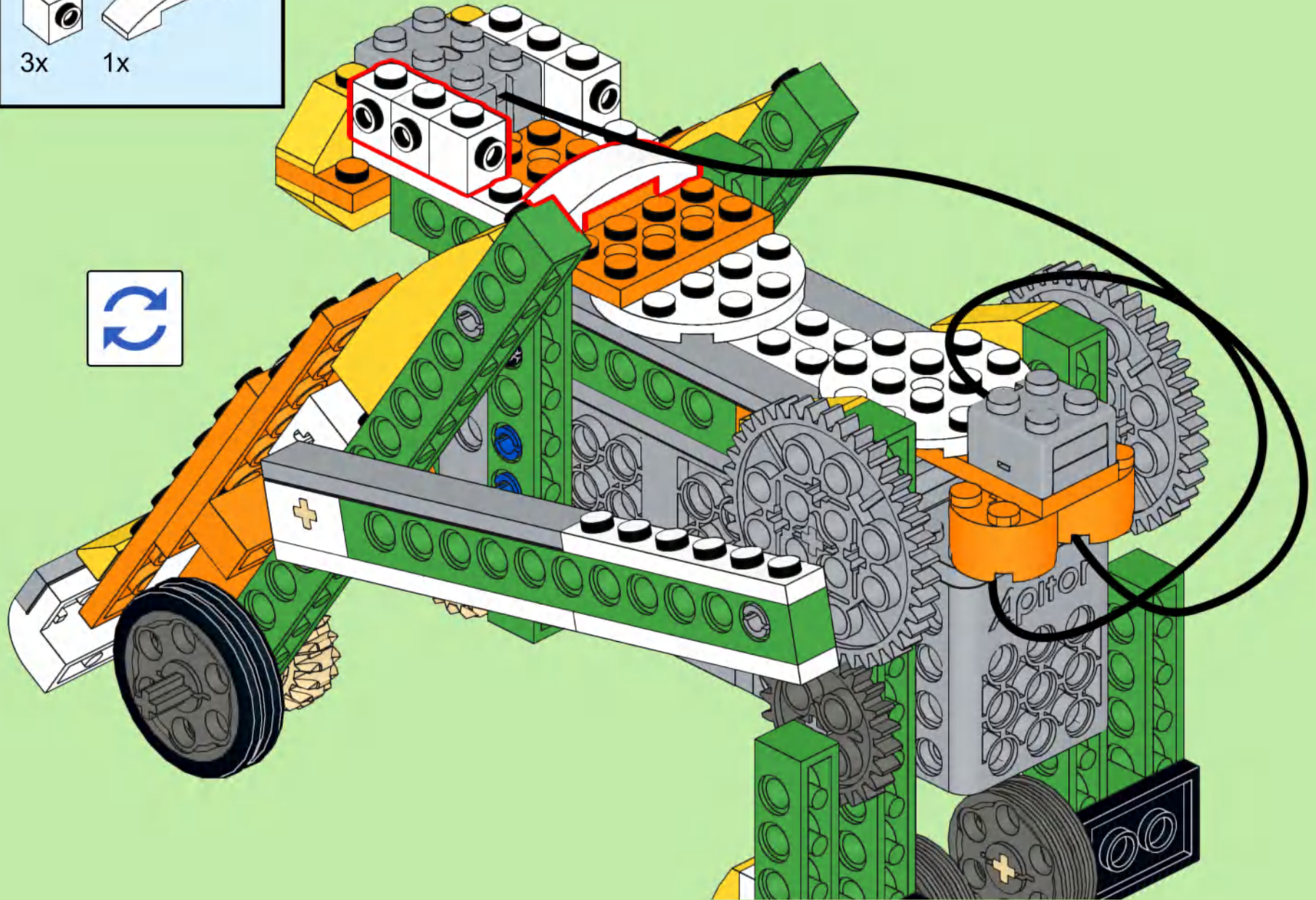
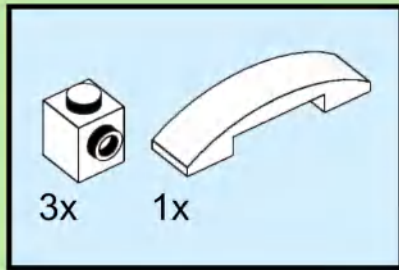


47



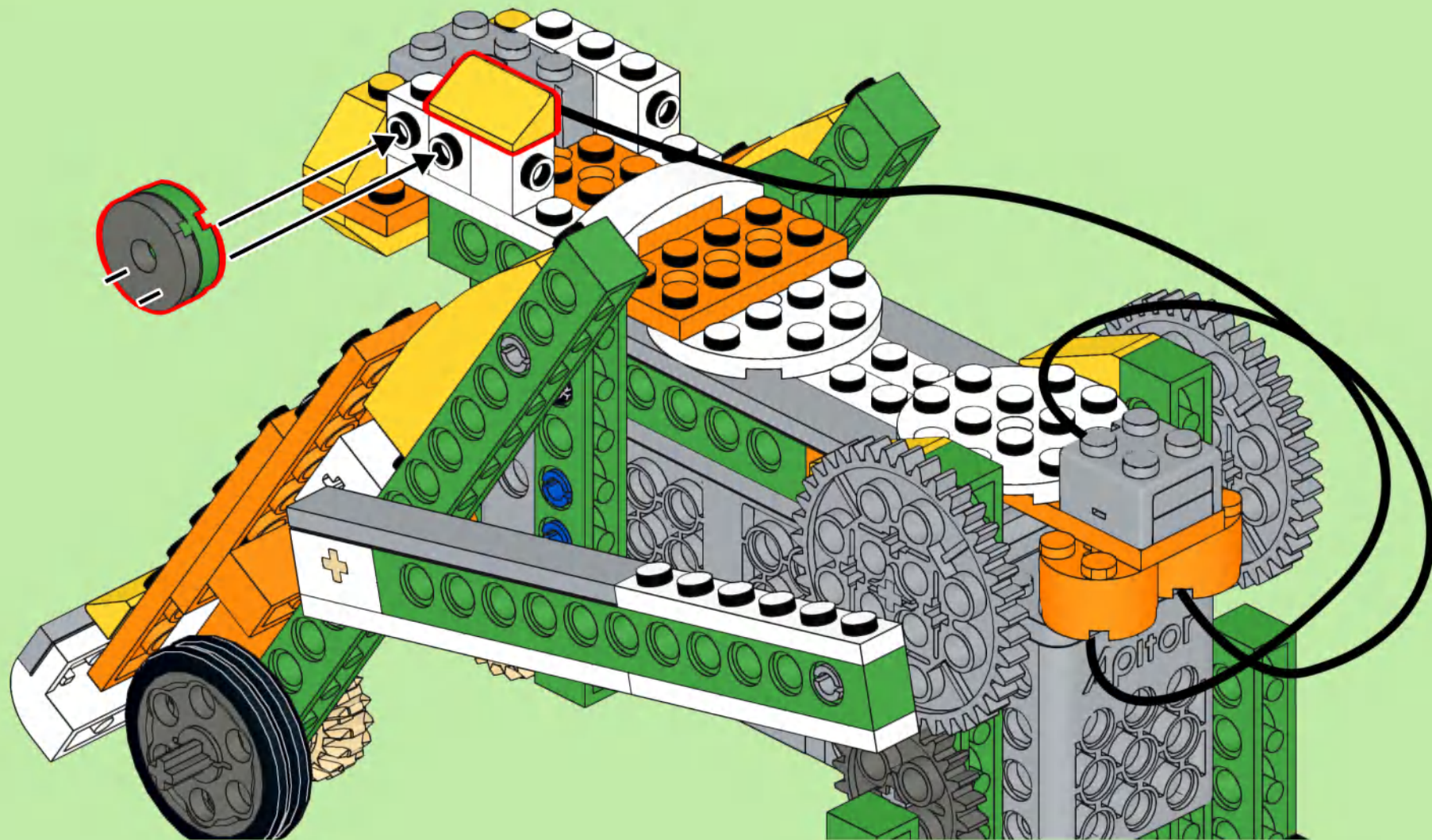


# 48

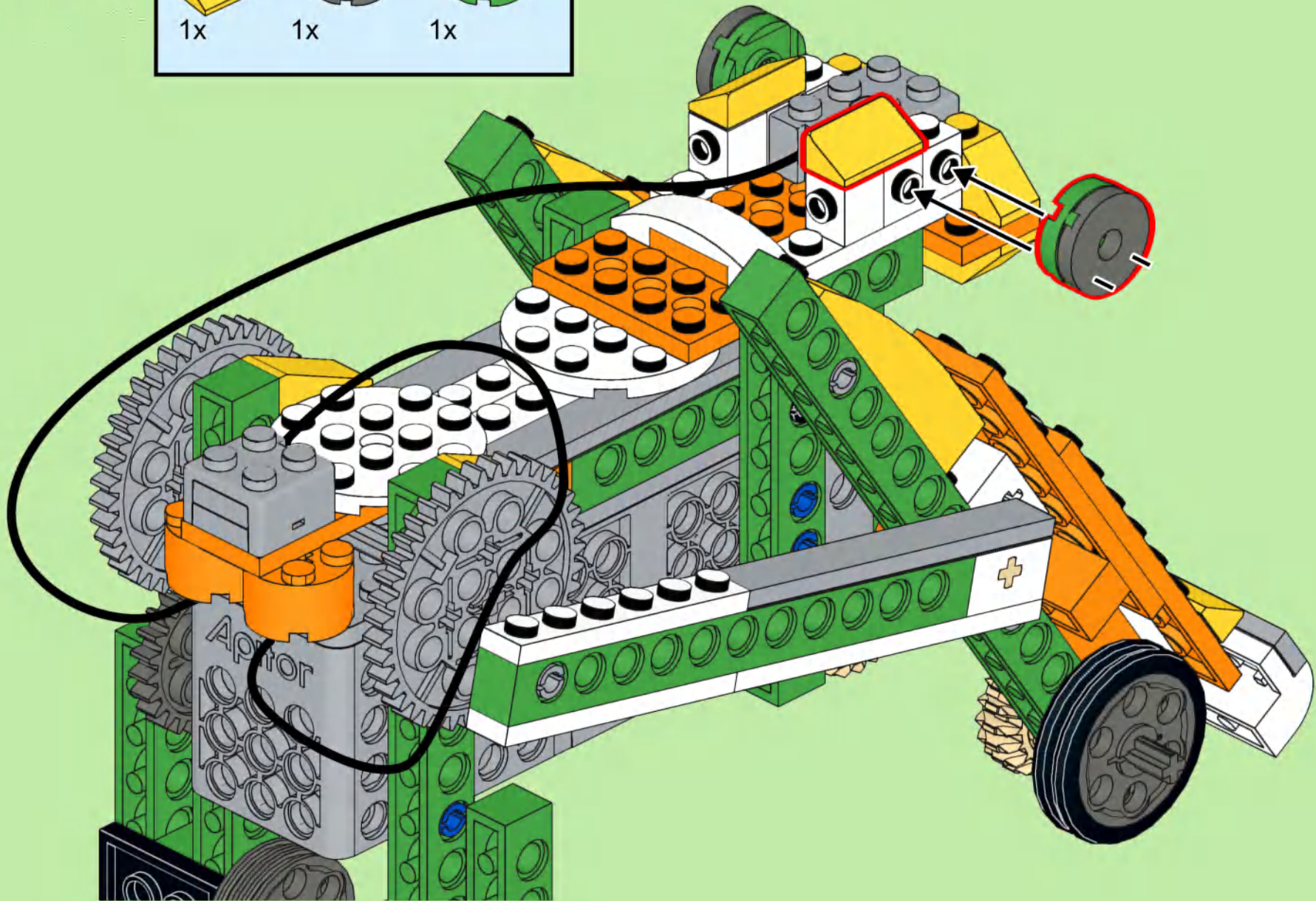




# 49

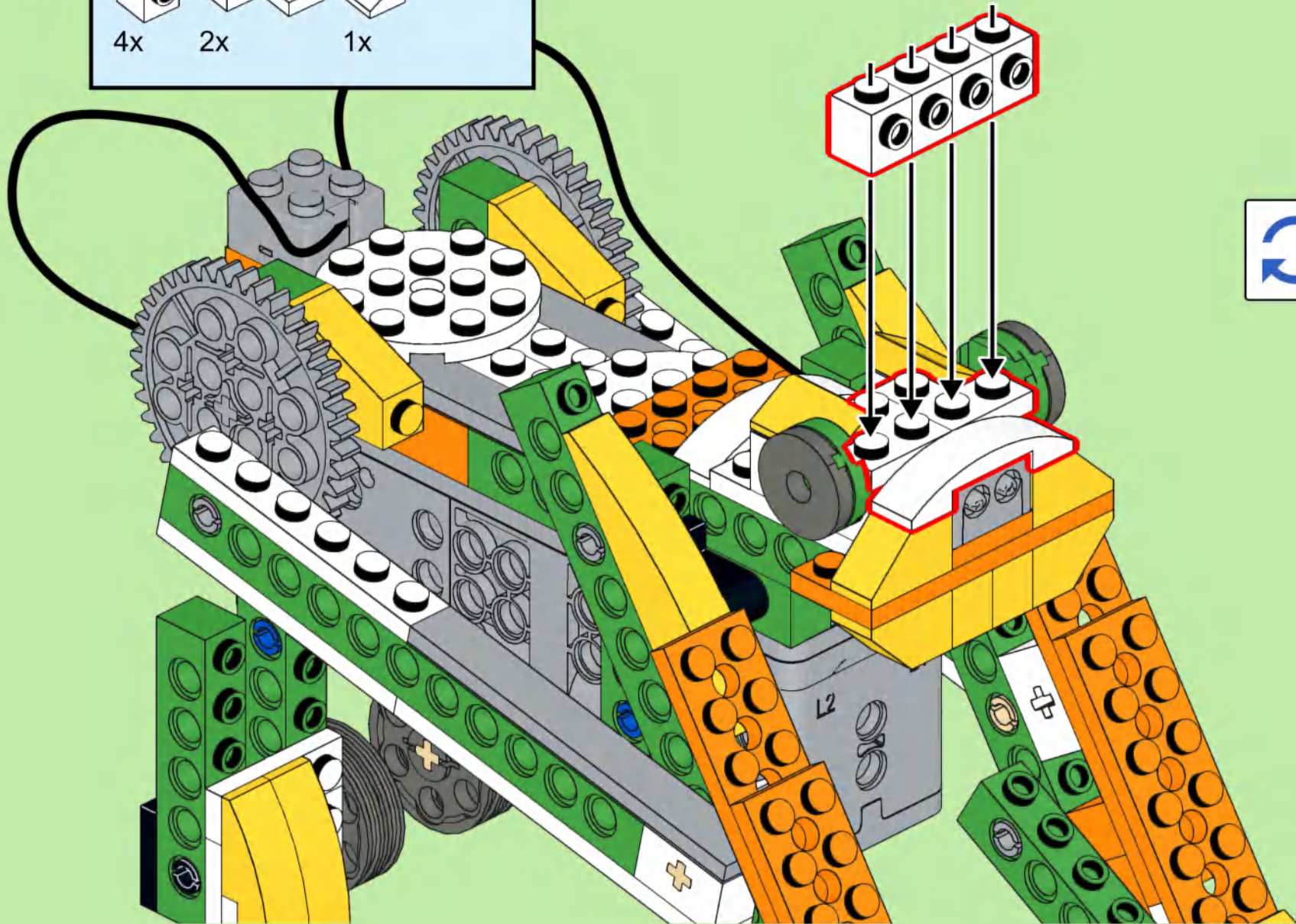
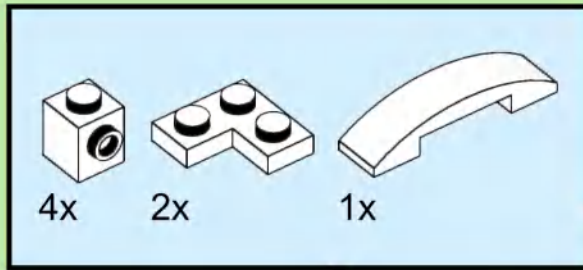


# 50



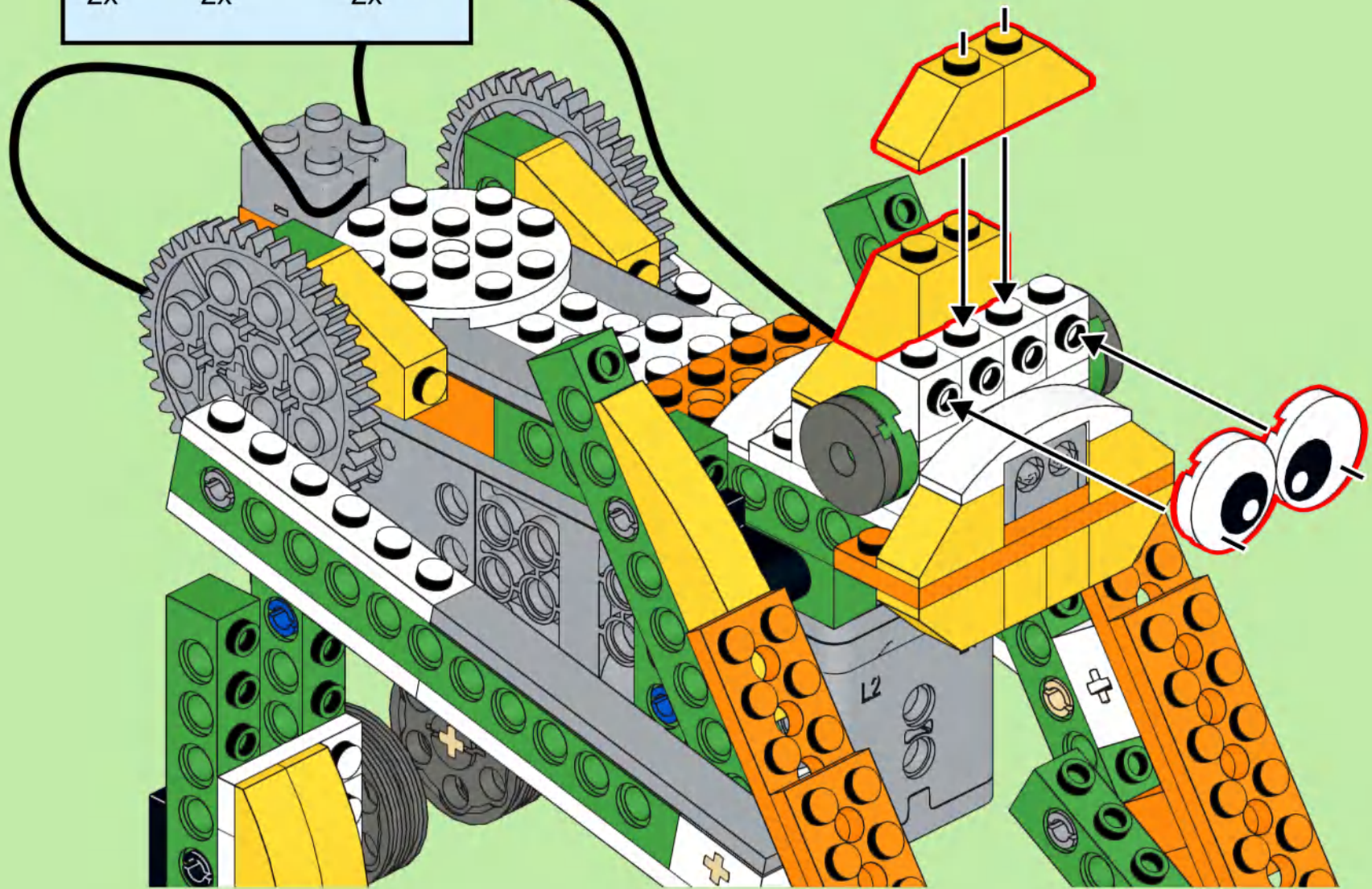
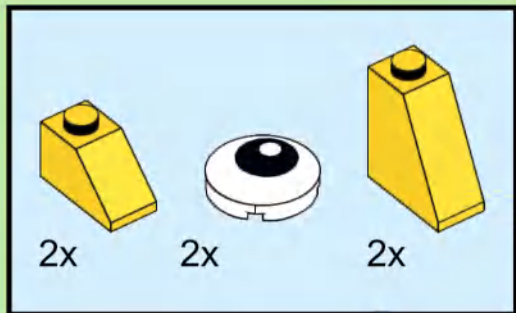


# 51

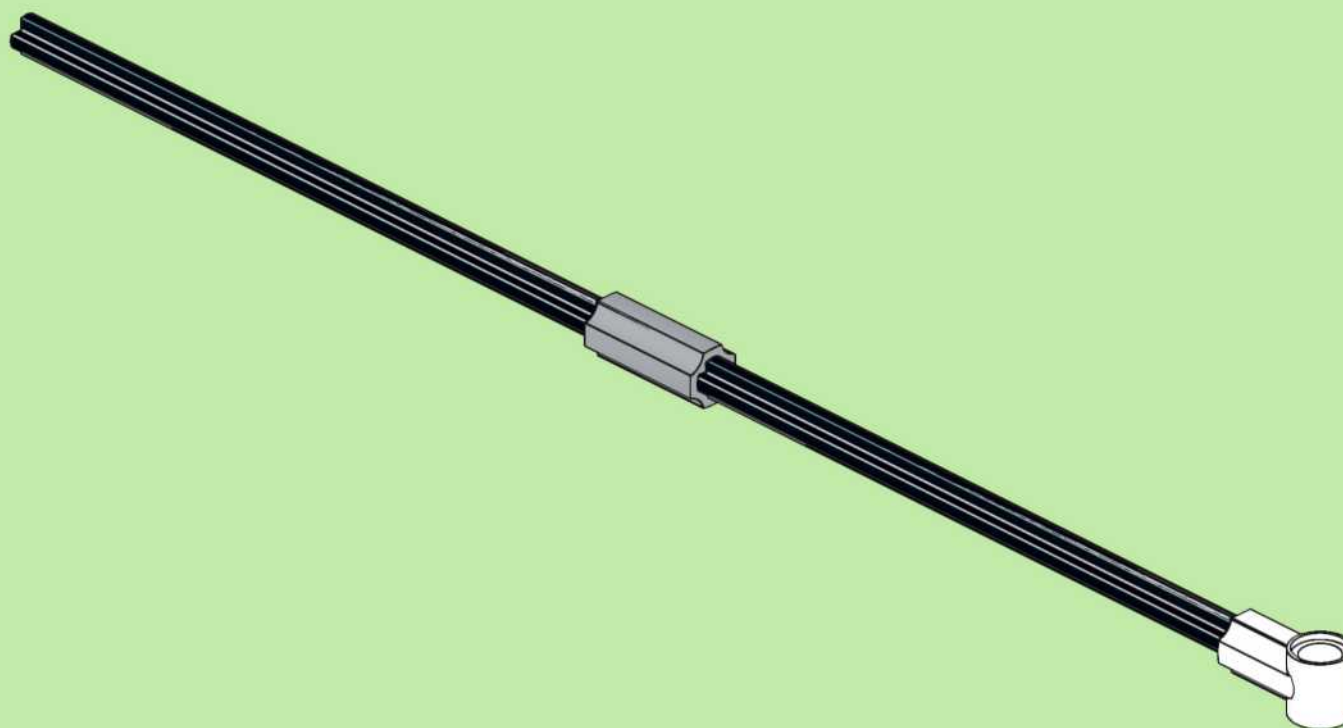
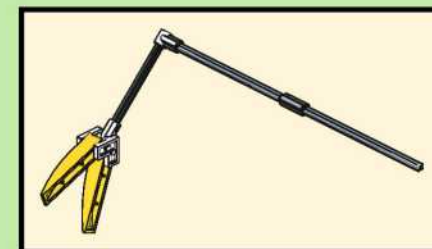
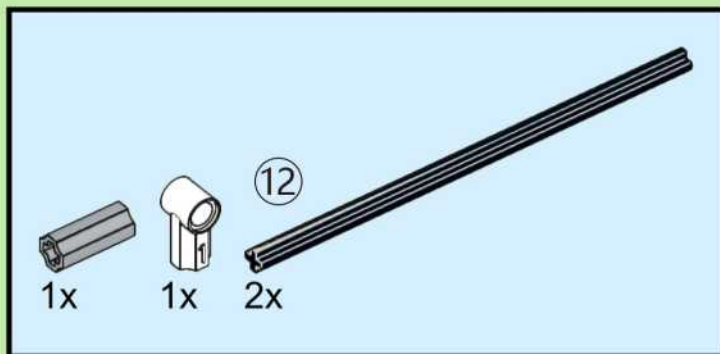




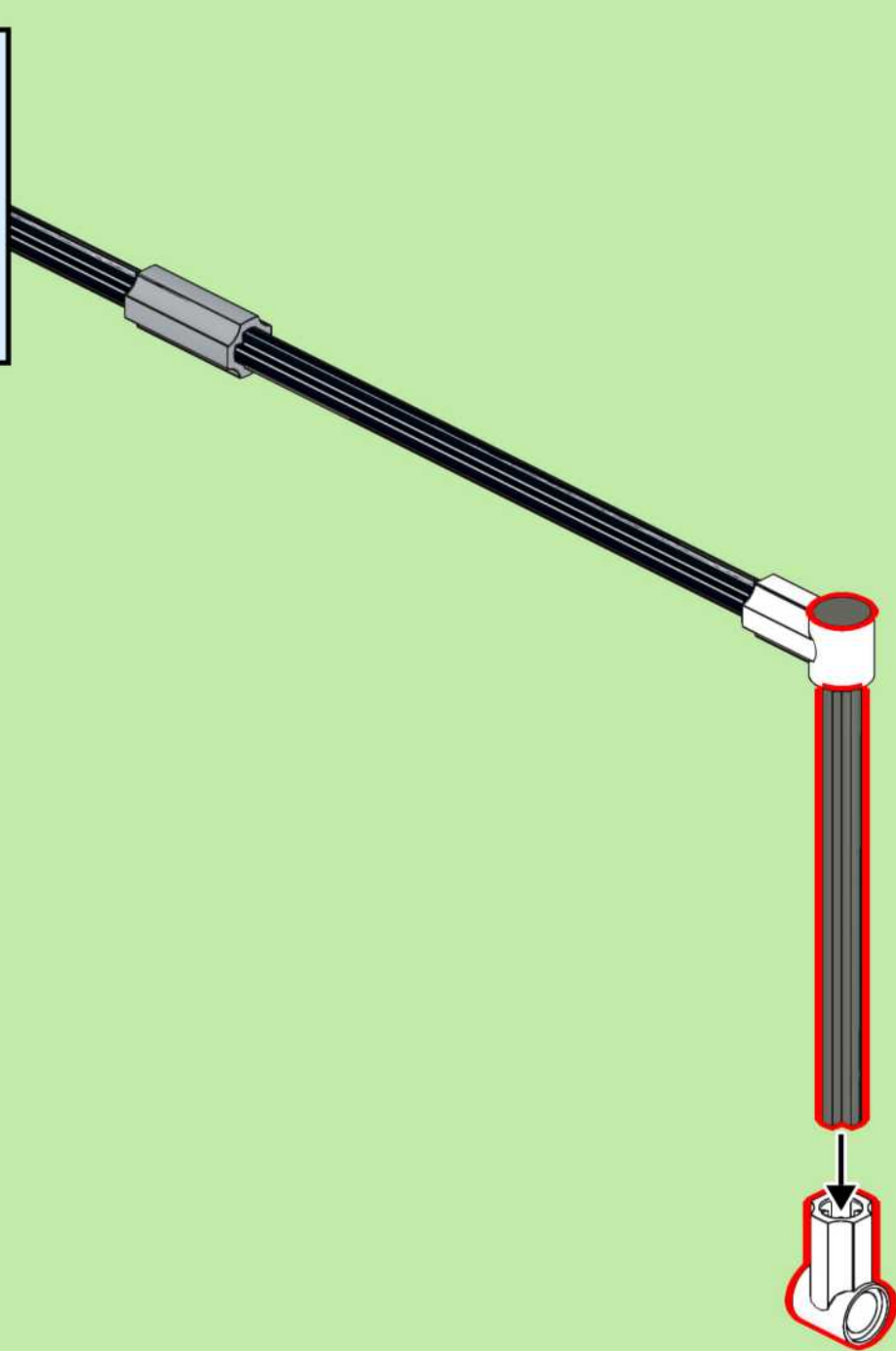
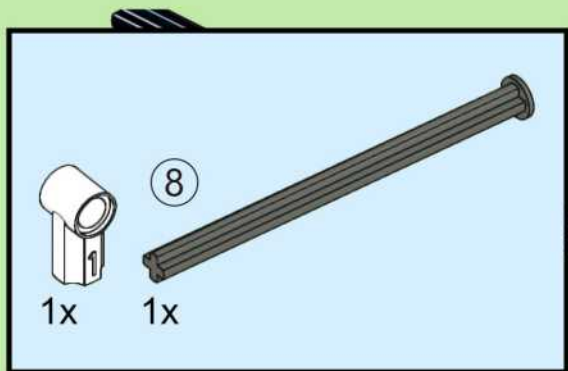
# 52



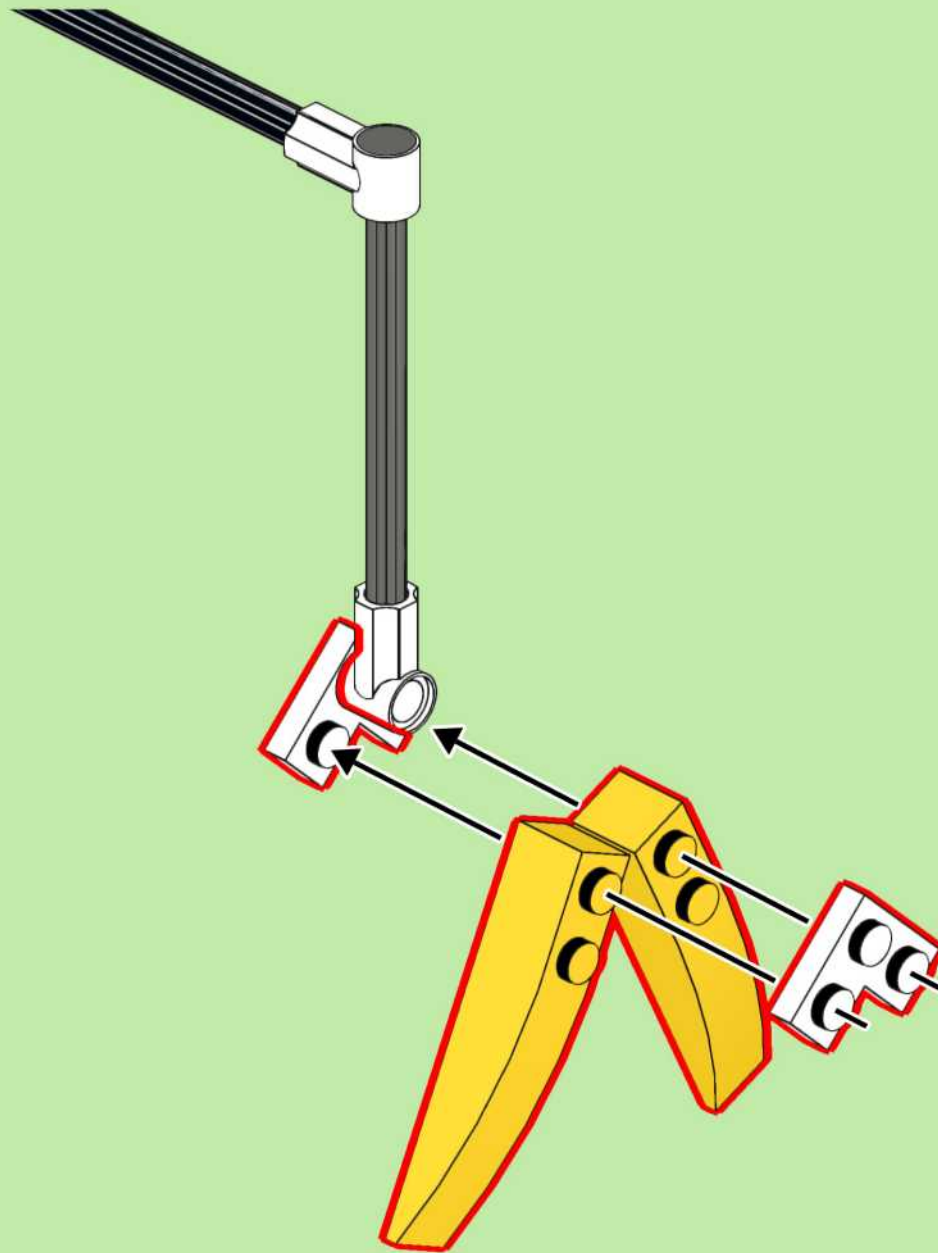
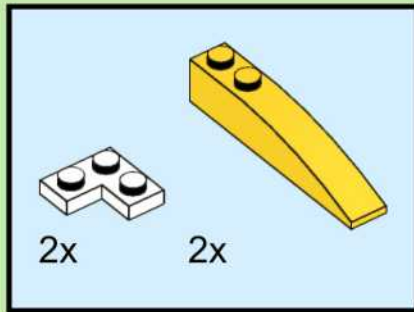
# 53



# 54



# 55





# 56

